

computar

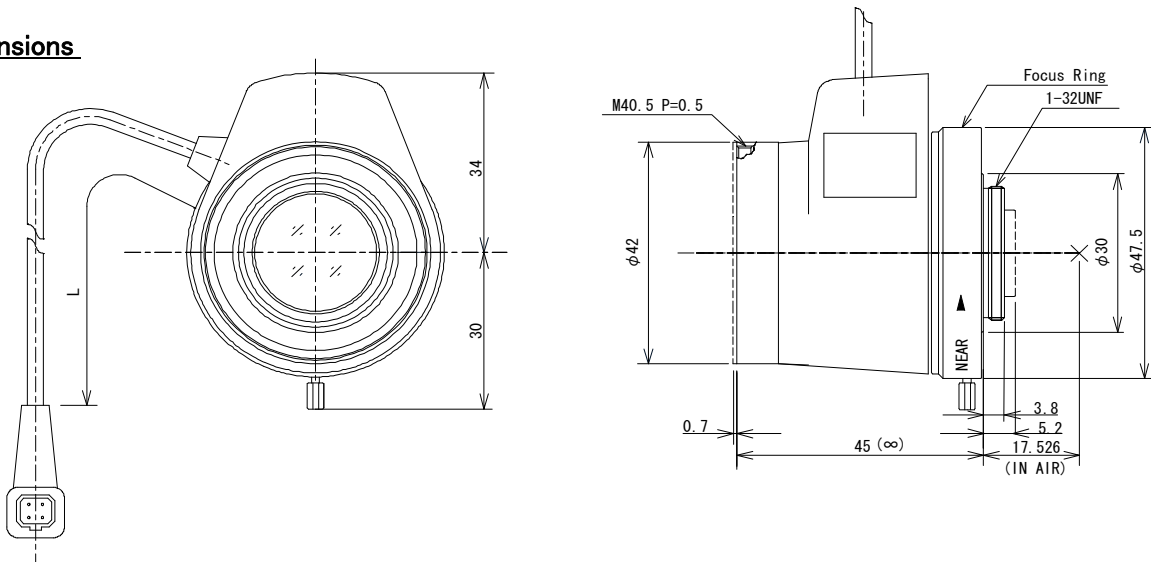
MG1616FC-MP

f=16mm F1.6

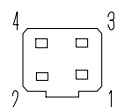
for 2/3 type 5 Megapixel Cameras, Fixed-focal, Auto Iris, DC Drive
C-Mount

Model No.	MG1616FC-MP		Effective	Front	φ 21.9mm		
Focal Length	16mm		Lens Aperture	Rear	φ 11.0mm		
Max. Aperture Ratio	1:1.6		Back Focal Length		13.3mm		
Max. Image Format	6.6mm x 8.8mm(φ 11mm)		Flange Back Length		17.526mm		
Operation Range	Iris	F1.6 - F360C		Mount	C-Mount		
	Focus	1m - Inf.		Filter Size	M40.5 × 0.5		
	Zoom	-		Dimensions	φ 42mm × 57.8mm × 45mm		
Control	Iris	DC Auto Iris		Weight	112.6 g		
	Focus	Manual					
	Zoom	-					
Angle of View	D	2/3 type	38.0°	1/2 type	28.1°	1/3 type	21.3°
	H		30.8°		22.7°		17.1°
	V		23.4°		17.1°		12.9°
Coil	Drive	190 Ω					
	Control	1000 Ω					
Operating Temperature	-10°C - +50°C						

Dimensions



Wiring Diagram



Pin No.

1	BROWN	Control(-)
2	RED	Control(+)
3	YELLOW	Drive (+)
4	ORANGE	Drive (-)