

TH17V3511-34

- Cost effective lens for high volume application
- Designed for uncooled IR sensors
- Optimized for the 8-12μm wavelength range



Zinc Sulfide Lens

Property	Value	Remarks
Optical		
Focal Length	35.0mm	
F/#	1.1	
Horizontal Filed of View	17.7° (A) / 13.0° (B)	
Image Circle	13.6mm	
Focus Adjustment	Manual	
Lens transmission (average)	0.74	wavelength 8-12μm
Coating Type	AR Coating*1	wavelength 8-12μm
Mechanical		
Weight	94g	
Lens Mount	Threaded	M34 × 0.5(Pitch)[mm]
Environmental		
Operating Temperature	-40°C to +80°C	Athermalized

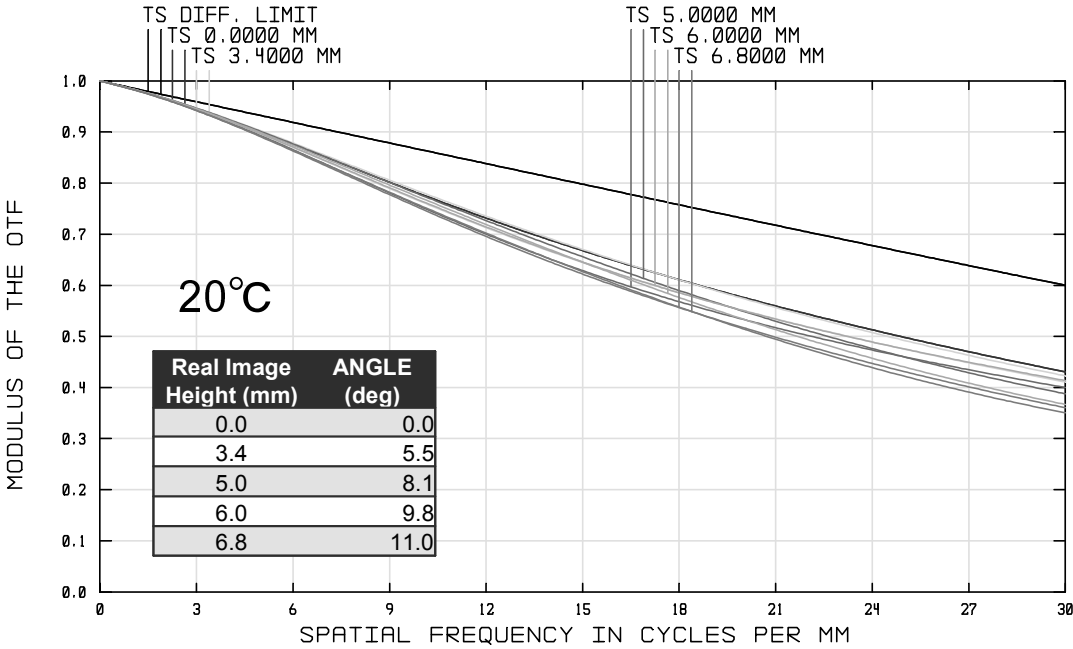
*1 Environmental Test (MIL-F-48616)

Adhesion	Tape Test
Humidity	85°C/95%X1000h
Abrasion	Severe 20 stroke
Temperature Shock	-40°C to 100°CX1000cycle
High/Low Temperature	100°CX750h/-57°CX570h

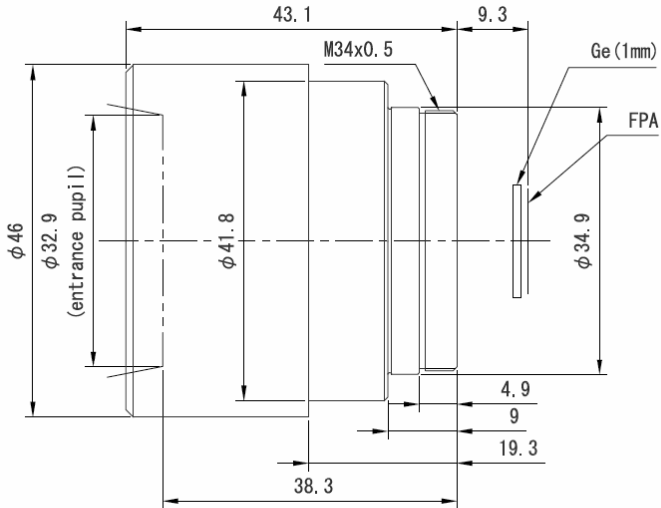
Type	Pitch	Pixels
A	17μm	640x480 (VGA)
B	25μm	320x240 (QVGA)

Specifications are subject to change without notice.

MTF



Dimensions



This is a special order item. Please contact customer service for pricing and availability. 2011.06
 Specifications are subject to change without notice.

