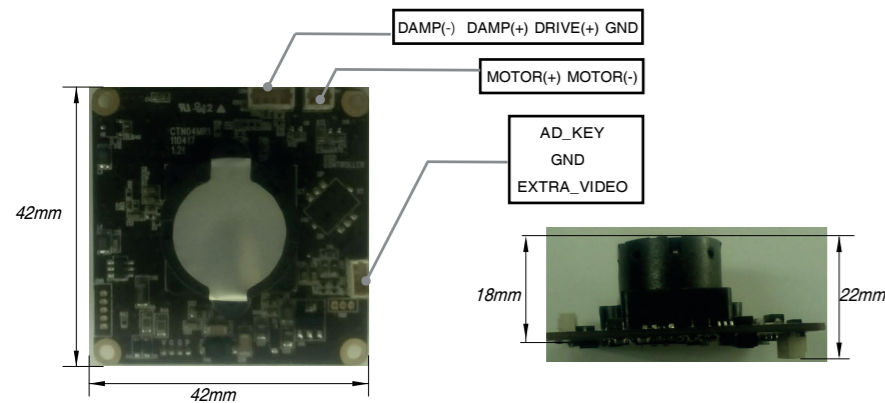


MODEL

Digital Day & Night : **CMB712-V**

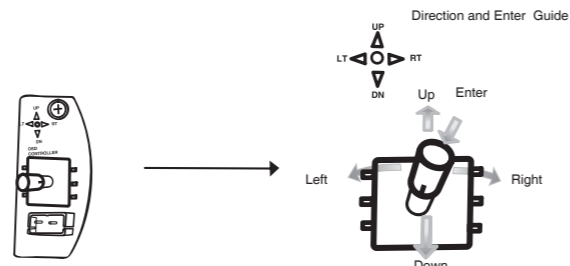
True Day & Night : **DMB712-V**

DIMENSION AND CONNECTORS



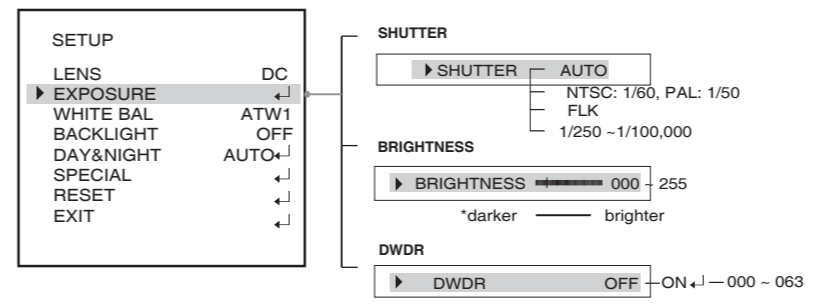
OSD SWITCH AND OSD MENU

Use the Multi Tact Switch within the camera



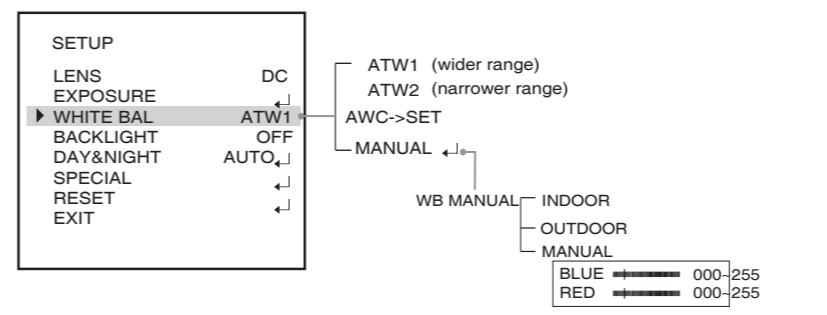
OSD MENU FUNCTION	
LENS	DC MANUAL
EXPOSURE	SHUTTER BRIGHTNESS AGC DWDR
WHITE BAL	ATW1 ATW2 AWC -> SET MANUAL
BACKLIGHT	OFF BLC HLC
DAY&NIGHT	AUTO COLOR B/W EXT
SPECIAL	CAM TITLE MOTION PRIVACY IMAGE ADJ DPC LANGUAGE VERSION
RESET	FACTORY
EXIT	

2) EXPOSURE

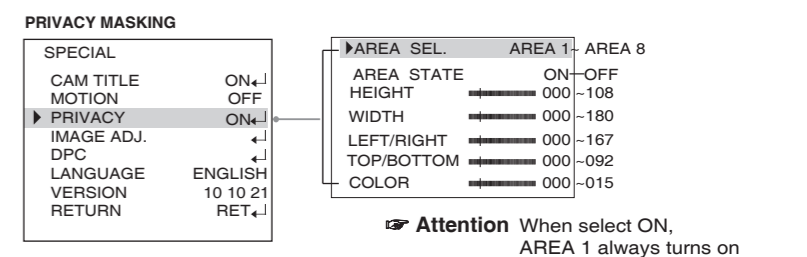
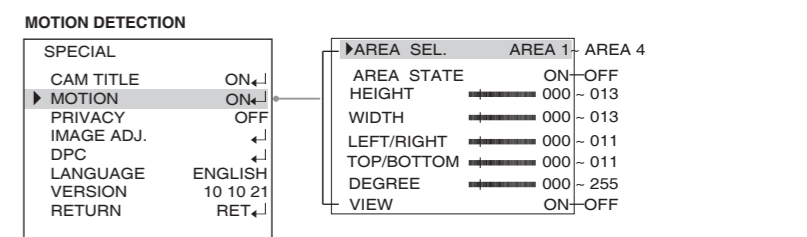
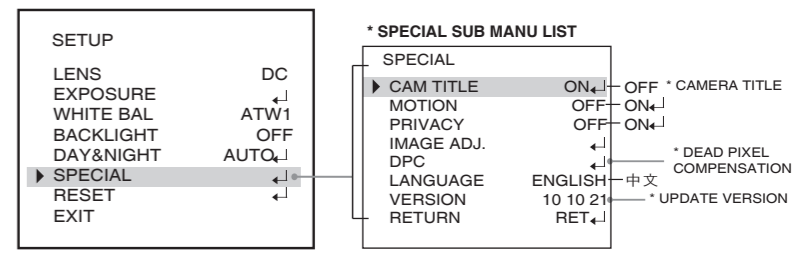


Attention BRIGHTNESS adjusts DC level of the lens

3) WHITE BALANCE



6) SPECIAL



Attention When select ON, AREA 1 always turns on

PRODUCT FEATURES

- 1/3" SONY Super HAD-II CCD
- Digital WDR(Wide Dynamic Range)
- High Light Compensation
- Privacy Masking
- Lens Shading Compensation
- Multi Tact Switch for OSD control
- True or Digital Day & Night
- Back Light Compensation
- Motion Detection
- 2D Digital Noise Reduction (2DNR)
- Low Power Consumption

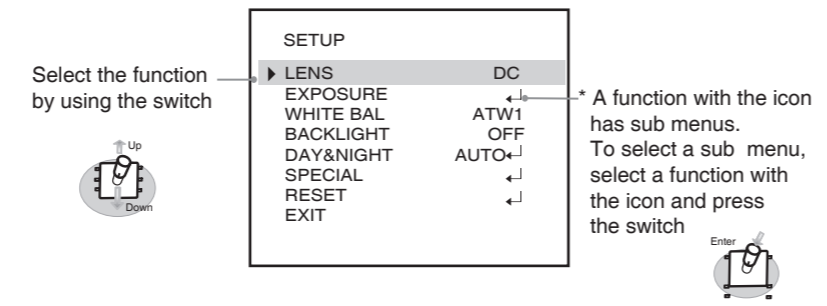
SPECIFICATION

TV System	NTSC	PAL
Scanning System	2 : 1 Interlace	
Image Sensor	1/3" Type Inter line transfer CCD(Sony HAD II CCD)	
Effective Elements	768(H) x 494(V)	752(H) x 582(V)
Scanning Frequency	15.734kHz(H) x 59.94Hz(V)	15.625kHz(H) x 50.00Hz(V)
Video Output	1.0Vp-p/75Ω	
Horizontal Resolution	More than 600 TVL	
Minimum Illumination(F1.4)	D-DN:0.4lx T-DN:0.04lx	
Day/Night	Digital or True Day/ Night	
S/N Ratio	More than 50dB(at minimum AGC gain)	
Gamma Characteristic	0.45	
Sync. System	Internal only	
Electronic Shutter	1/60 sec. FLK, 1/60 - 1/100,000(Selectable)	1/50 sec. FLK, 1/50 - 1/100,000(Selectable)
White Balance	ATW1, ATW2, AWC, Mannaal (Selectable)	
Power Supply	DC12V±10%	
Power Consumption	1.1 Watt	
Ambient Temperature	Operation : -10°C to +50°C / Storage : -20°C to +60°C	
Ambient Humidity	Operation : Max. 85%RH / Storage : Max. 95%RH	
Switches	Multi Tact Switch for OSD control	

※ The specifications and/or appearance of the product may change without a prior notice

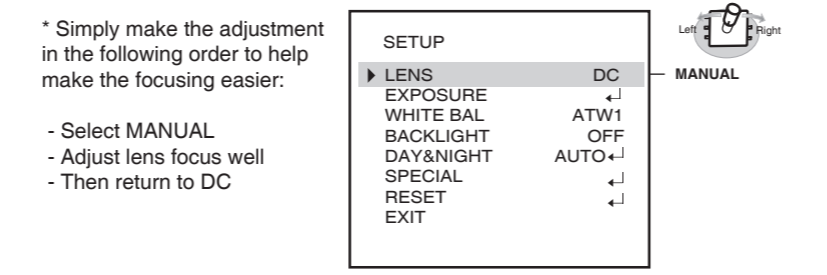
* START SET UP MENU

Press the Middle Multi Tact Switch, the main setup menu is displayed on the monitor screen



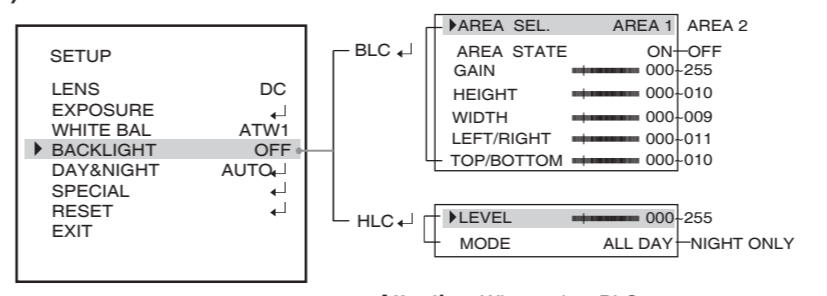
1) LENS

Turn the Switch toward Left or Right side, Select DC or MANUAL



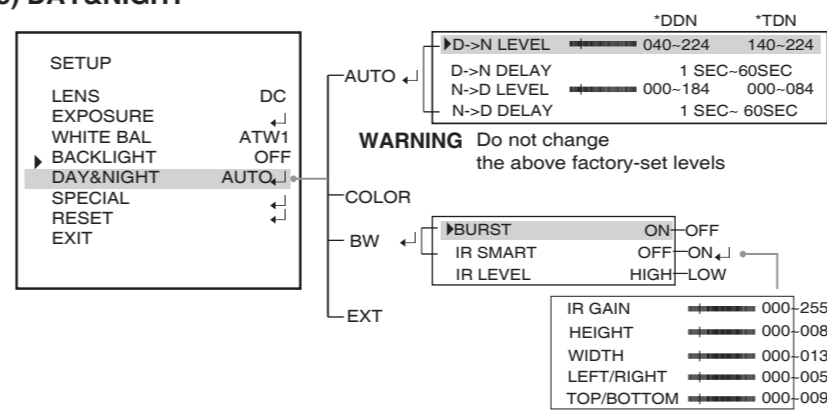
- Simply make the adjustment in the following order to help make the focusing easier:
- Select MANUAL
- Adjust lens focus well
- Then return to DC

4) BACKLIGHT



Attention When select BLC, AREA 1 always turns on

5) DAY&NIGHT



7) RESET & EXIT

