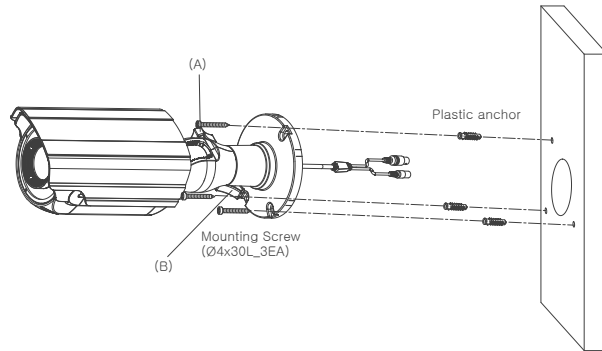
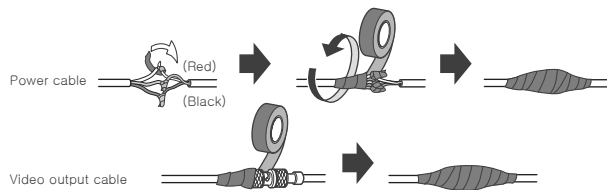


5. Installation

5-2. How to install to Wall

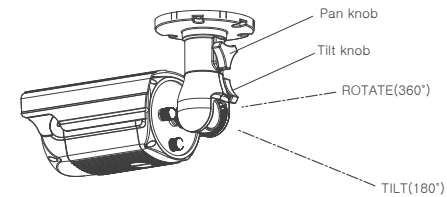


- ① Drill three screw holes on the wall plate to fix three plastic anchors (supplied) in the holes.
- ② Fix the plastic anchors in the holes.
- ③ Position the mounting bracket on the screw points.
- ④ Fix the mounting bracket by tightening the screws.
- ⑤ Slightly loosen knob (A) then adjust tilt(180°) and rotation(360°) of the camera and tighten the knob firmly.
- ⑥ Slightly loosen knob (B) then adjust pan(360°) of the camera and tighten the knob firmly.



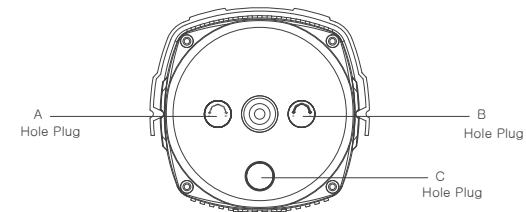
5. Installation

5-3. 3-Axis adjustment



- ① Pan 360°
Slightly loosen Pan knob then adjust pan of the camera and tighten the knob firmly .
- ② Tilt 180°
Slightly loosen Tilt knob then adjust tilt of the camera and tighten the knob firmly.
- ③ Rotation 360°
Slightly loosen Tilt knob then adjust rotation of the camera and tighten the knob firmly.

5-4. Rear Hole Plugs



- ① **NOTE: No User Zoom/Focus controls exist on this camera!**
The LP camera uses parts common to another camera. Although the rear plate is labeled with "Zoom" & "Focus" controls, none exist with this fixed lens camera. These are merely hole plugs.