

ZC-OH5 TAMPER-RESISTANT INDOOR/OUTDOOR HOUSING INSTRUCTION MANUAL

FOR USE WITH GANZ ZC-D5000 SERIES MINIDOME CAMERAS



CBC (AMERICA) Corp.

Please carefully read and observe all instructions and warnings contained in this manual or on the product. Improper installation may damage the device and void the warranty.

IMPORTANT

Installation should be performed by a qualified service person and conform to all local codes.

DESCRIPTION

Model ZC-OH5 is a tamper resistant indoor or outdoor housing that is designed to accommodate all CBC ZC-D5000 series mini-dome cameras. This housing will accept the following camera models:

ZC-D5029NHA/PHA	1/3" Color hi-res dome, 540 TVL, 2.9-8.2mm AI varifocal
ZC-D5212NHA/PHA	1/3" Color hi-res dome, 540 TVL, 2.8-12mm AI varifocal
ZC-D5550NHA/PHA	1/3" Color hi-res dome, 540 TVL, 5-50mm AI varifocal
ZC-DN5029NHA/PHA	1/3" Color hi-res TRUE DAY/NIGHT dome, 540 TVL, 2.9-8.2mm AI varifocal
ZC-DN5212NHA/PHA	1/3" Color hi-res TRUE DAY/NIGHT dome, 540 TVL, 2.8-12mm AI varifocal
ZC-DN5840NHA/PHA	1/3" Color hi-res TRUE DAY/NIGHT dome, 540 TVL, 8.5-40mm AI varifocal

MAJOR FEATURES

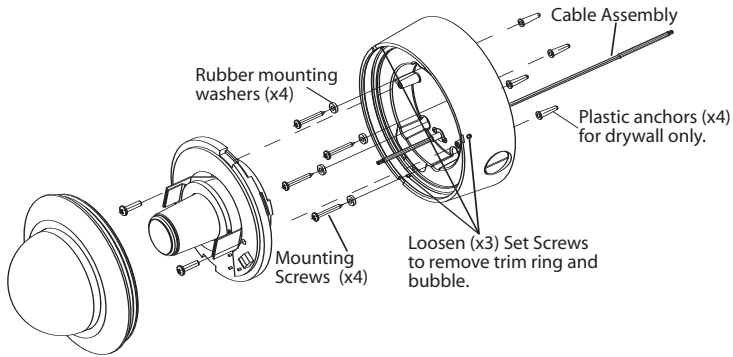
- Polycarbonate dome with rugged cast aluminum housing withstands the blow from a 10 pound sledgehammer
- O-ring sealed housing meets IP66 standards for use in virtually any weather conditions
- Quick-Lock tabs for easy installation and removal of camera module
- Built-in conduit access in dome base accepts 3/4" conduit
- Quick and easy installation utilizing 6 different dome camera options
- Housing mounts directly to any wall, ceiling or 4S Electrical box.

INSTALLATION

1) Standard Housing Installation

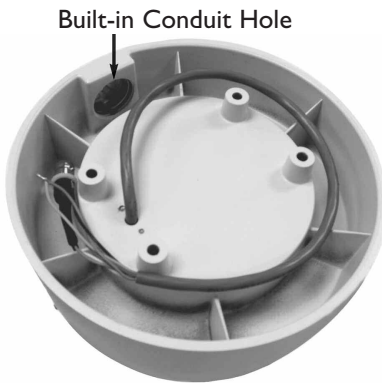
- a) **CAUTION: Do Not Remove Screws.** Loosen the 3 set screws from the dome base using the supplied key and remove the dome cover (see **FIGURE I**). The O-Ring makes a tight seal, so a thin-bladed screwdriver may be needed to separate the dome cover from the housing base by using the pry slots to separate.

**FIGURE 1
DOME REMOVAL**



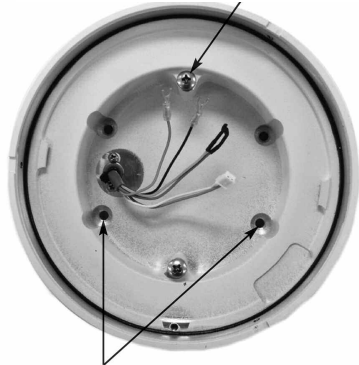
- b) Using a minimum 1/2" drill bit, drill the cable feed hole and feed the video/power cable through the mounting surface or attach 3/4" conduit fitting to the hole in the side and seal with pipe thread tape (see **FIGURE 2**).

**FIGURE 2
BACK VIEW CONDUIT HOLE**



**FIGURE 3
INSIDE BASE MOUNTING HOLES**

Mounting holes for camera base (2)



Mounting holes for housing, covered by rubber plugs (4)

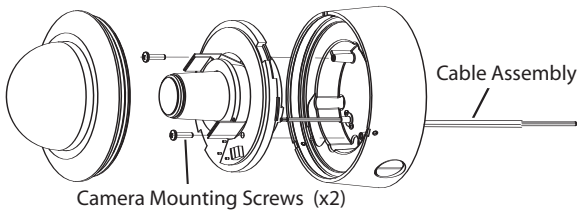
- c) Holding the dome against the mounting surface, mark and drill the 4 mounting holes (see **FIGURE 3**). Fasten the base to the mounting surface using the supplied #8 Phillips screws, rubber washers and plastic anchors (anchors for dry wall only), (see **FIGURE 1**). Depending on the mounting surface other hardware may be needed. Add rubber gasket seal to the back of the housing for sealing on a flat surfaces. For uneven surfaces a bead of silicone sealant is recommended.

Note: If using other mounting hardware; apply silicone sealant around the inside of the 4 mounting holes before inserting screws or bolts to prevent damage from leakage.

2) Install ZC-D5000 Series Dome Camera

- a) Remove the two camera mounting screws (see **FIGURE 4**).
- b) Place the camera base into the housing, making sure that the 6 power and video wires feed through the hole in the camera base.
- c) Rotate camera slightly to lock in place, then install 2 supplied mounting screws to secure camera to the housing base (see **FIGURE 3** for locations).
- d) Make the wiring connections in accordance with the instructions below.

FIGURE 4



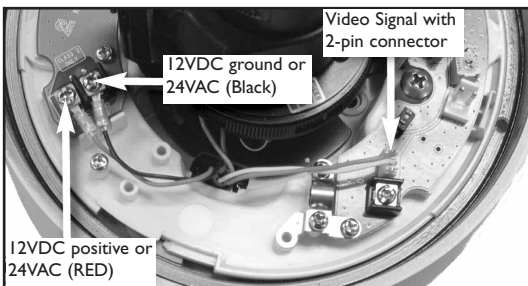
3) Connect Power

IMPORTANT

Make wiring connections only after it has been determined that power has been disconnected. Failure to do so could lead to permanent damage to the camera and void the warranty. The ZC-D5000 Series Dome Cameras will accept either 12 Volts DC or 24 Volts AC power supply marked class 2. If using 12VDC, be sure to determine the polarity before connection.

The Red wire connects to 12VDC (+) Positive terminal and the Black wire connects to the Ground terminal (see **FIGURES 5 & 6**). When using 12VDC, use only a regulated power supply with a minimum 500mA output, (model C12DCR-500 recommended). For 24VAC input, connect the Red and Black wires to the 2 power input terminals.

FIGURE 5

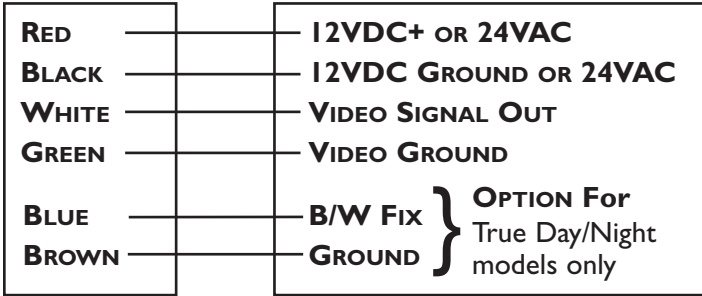


4) Connect Video

Connect the White connector to the Video-Out Terminal on the board. (see **FIGURE 5**).

Note: If necessary, needle nose pliers can be used to make power and video connections.

FIGURE 6



Note: Special focusing Instructions when using 5-50mm dome.

If the 5-50mm lens is set to a focal length of 20mm or greater, the dome cover must be held in front of the lens while focusing to obtain proper focus.

5) Install the Desiccant Pack

After the camera has been installed, attach the supplied desiccant pack to the camera.

- a) Remove the desiccant pack from its storage bag.
- b) Remove plastic from the double-sided tape and attach to the inside of camera bracket (see **FIGURE 7**). The desiccant pack is used to absorb any moisture trapped inside the dome during installation. To avoid excessive moisture buildup, it is recommended that the camera not be installed in rainy or excessively damp conditions. The desiccant pack can be replaced if condensation develops inside the housing. Replacement packs and other replacement parts are available through CBC (AMERICA) Corp.

FIGURE 7



Attach desiccant pack here

6) Re-Install Dome Cover

- a) Place the dome cover on the housing base.
- b) Push the cover lightly onto the base, rotate the liner or dome cover to align with lens and tighten the 3 tamper resistant set screws (see **FIGURE 1**) until the cover seals tight against the housing base.

CAUTION: Do Not Over Tighten!

Changing the Polycarbonate Dome

The ZC-OH5 housing is supplied with a clear dome and black plastic liner. If damaged, the dome can be replaced by removing the 4 flat head screws inside the dome cover. Due to a tight seal, some pressure may be required to the top of the dome to break the seal. After installing the new dome, replace the retaining ring and tighten the 4 flat head screws until the retaining ring is flush with the adjacent surface.

MAINTENANCE NOTES

If the housing cover is opened frequently or if the O-Ring dries out, apply a light coat of good quality silicone based grease to the O-Ring to maintain a watertight seal. Replacement O-rings and other replacement parts are available through CBC (AMERICA) Corp.

OPTIONS

1. Pendant Mount

A pendant mount adapter is available for applications that require the dome to be dropped from the ceiling from a pipe. The pendant mount adapter accepts a 1" NPT pipe thread (Model ZC5-PM2).

2. Wall Mount

The wall mount combines the pendant mount with a wall mount bracket for various wall-mounting applications (Model ZC5-WM2).

3. Heater

A 24VAC heater option is available. Contact CBC (AMERICA) Corp. for details and specifications.

4. Housing Color

Different housing colors (either painted or anodized) are available for a minimum order lot and custom paint charge.

FIGURE 8
OPTIONAL PENDANT MOUNT

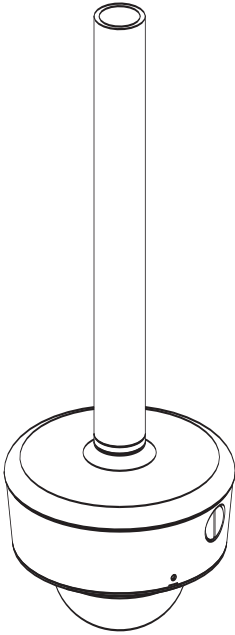
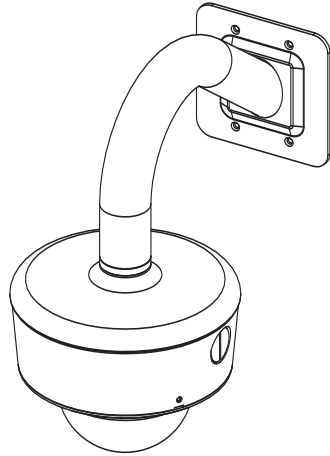


FIGURE 9
OPTIONAL WALL MOUNT



HOUSING SPECIFICATIONS

Construction: Cast Aluminum, stainless steel hardware, polycarbonate dome.

Finish: Off-White Powder Coat Paint

Ratings: Designed to meet NEMA 5, IP66

Dimensions: 6.66" diameter, 4.95" overall height

Unit Weight: 2lb. 5oz.

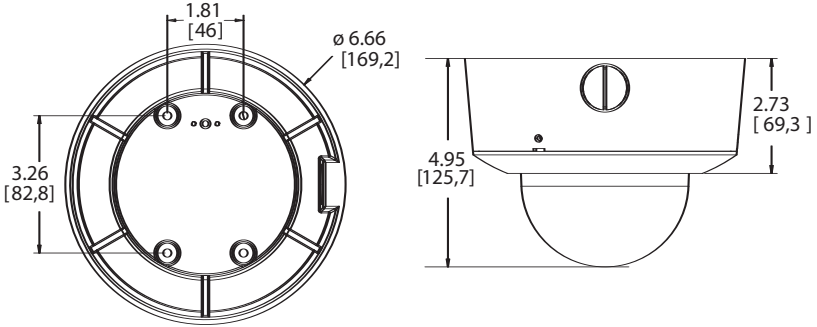
*Temp Range: +10 degrees to +140 degrees F without heater
-25 to +140 degrees F with heater (ZC-D5000 Series Dome Cameras)

*Temperature Range recommendations are based on proper installation and maintenance procedures outlined in this manual. Improper installation or maintenance may alter the camera's operational limits, damage the device and void the warranty.

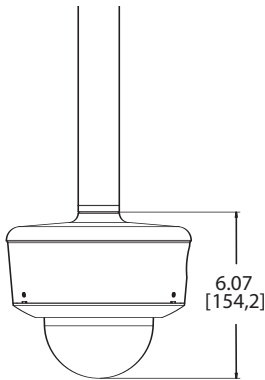
Design and product specifications subject to change without notice.

DIMENSIONAL OUTLINES

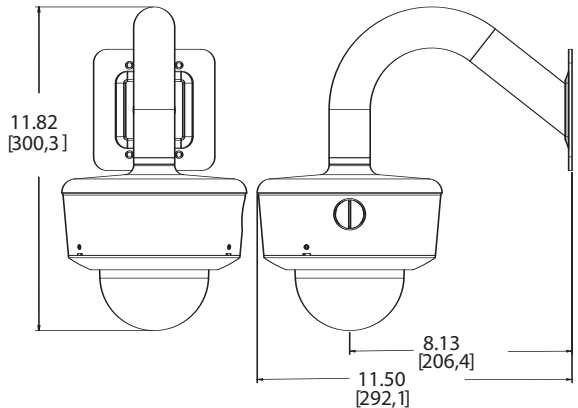
ZC-OH5



OPTIONAL PENDANT MOUNT



OPTIONAL WALL MOUNT



in
mm

Disposal of your old appliance



1. When this crossed-out wheeled bin symbol is attached to a product it means the product is covered by the European Directive 2002/96/EC.
2. All electrical and electronic products should be disposed of separately from the municipal waste stream via designated collection facilities appointed by the government or the local authorities.
3. The correct disposal of your old appliance will help prevent potential negative consequences for the environment and human health.
4. For more detailed information about disposal of your old appliance, please contact your city office, waste disposal service or the shop where you purchased the product.

100 0200 001 CBC 01/08

Data subject to change without notice.

Printed in USA



CBC (AMERICA) Corp.

www.cbcamerica.com

NEW YORK: 55 MALL DRIVE • COMMACK, NY 11725
TEL 1-800-422-6707 • 631-864-9700 • FAX 631-543-5426
CALIFORNIA: 20521 EARL STREET • TORRANCE, CA 90503
TEL 1-800-888-0131 • 310-793-1500 • FAX 310-793-1506

©2007 CBC America Corp., All Rights Reserved. 01/08