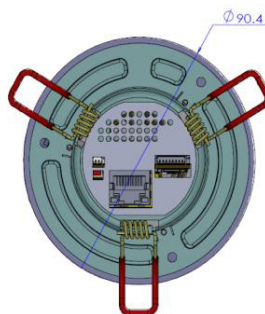
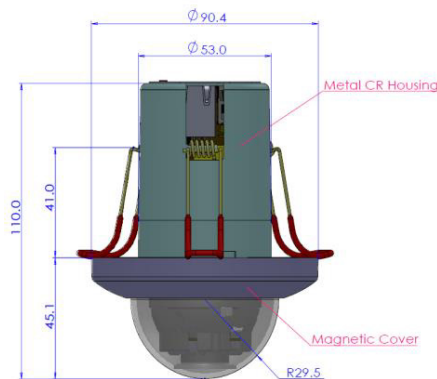


ZN3-MD4D6 - Drop Ceiling IR Fixed Dome



Features

- EMBEDDED LINUX
- TRIPLE CODEC (H.264/ MPEG4/ MJPEG)
- 1/2.8" 2.0M Sony CMOS sensor
- Dual Streaming at Different Rate & Resolution
- 1080p/ 720p/ D1/ CIF/ QCIF(MJPEG)
- 30/25 fps Max. frame rate for all resolutions
- FTP/ E-mail Notification & JPEG Rec. on SD
- Full HD (1920x1080) effective pixel
- HD Ratio (16:9)
- Micro SDHC Memory support(not included) ~32G



(Spring Clamp Type)

OS	Embedded Linux
Video Compression	Triple Codec,H.264/MPEG4/MJPEG
Image	1/2.8" 2.0 CMOS
Video Streaming	Multi Streaming CBR/VBR (Controllable frame rate and Bandwidth)
Resolution	All Codec : 1080P/720P/D1/CIF MJPEG : QCIF
Frame Rate	Max. 30 /25 fps
Audio Compression	Two way, G.711 PCM. μ -law 64kbps 8kHz
Illumination	2.4Lux(F1.6, 30IRE) 0.5Lux(F1.6, 30IRE) IR: 0.00Lux(IR LED ON)
Local Storage	SDHC memory card (card is not included)
Motion detection	Notification: FTP, e-mail, JPEG Recording on SD
Alarm	Pre-Post Alarm
Max No. of Clients	5
Protocol	ONVIF, TCP/IP, HTTP, DHCP, PPPoE, ICMP, DDNS
Image Device	1/2.8" 2.0M CMOS
Total Pixels	1920(H)X1080(V)
Effective Pixels	Approx. 2 Mega pixels
Aspect Ratio	HD: 16:9
Focal Length	4.3mm
Horizontal angle	71 deg
Day & Night	Auto/Day/Night(ICR)
Shutter Speed	Auto, Manual (1/25,1/30 ~ 1/60,000)
Sensor In/Out	1 Input / 1 Output
Audio In/Out	1 Mic / 1 Speaker
Power	DC 12V 4W, PoE IEEE 802.3af
OS Supported	Windows 7, Vista, XP, 2000

All specifications are subject to change without notice.