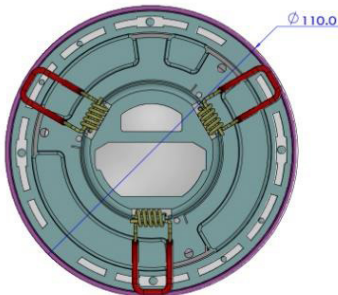
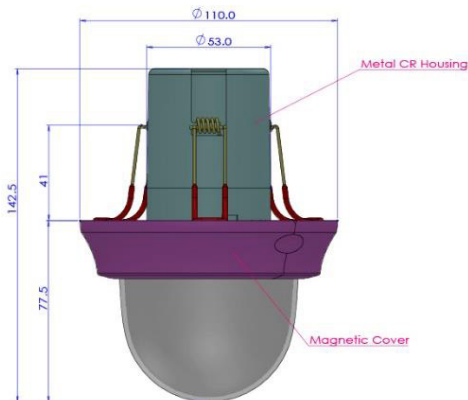


ZN3MP4D51 - Drop Ceiling Mini PTZ



Features:

- EMBEDDED LINUX
- TRIPLE CODEC (H.264/ MPEG4/ MJPEG)
- 1/2.8" 2.0M Sony CMOS sensor
- Dual Streaming at Different Rate & Resolution
- 1080p/ 720p/ D1/ CIF/ QCIF(MJPEG)
- 30/25 fps Max. frame rate for all resolutions
- FTP/ E-mail/ Alarm Notification & JPEG Rec (SD)
- Full HD (1920x1080) effective pixel
- HD Ratio (16:9), SD 4:3
- Micro SDHC Memory support(not included) ~32G



(Spring Clamp Type)

OS	Embedded Linux
Video Compression	Triple Codec,H.264/MPEG4/MJPEG
Image Device	1/2.8" 2.0M CMOS
Video Streaming	Multi Streaming CBR/VBR (Controllable frame rate and Bandwidth)
Resolution	All Codec : 1080P/720P/D1/CIF MJPEG : QCIF
Frame Rate	Max. 30 /25 fps
Audio Compression	Two way, G.711 PCM, μ -law 64kbps 8kHz
Local Storage	SDHC memory card (card is not included)
Motion detection	Notification: FTP, e-mail, Alarm out, JPEG Recording on SD
Alarm	Pre-Post Alarm
Max No. of Clients	5
Protocol	ONVIF, TCP/IP, HTTP, DHCP, PPPoE, ICMP, DDNS
Image Device	1/2.8" 2.0M CMOS
Total Pixels	2000(H)X1241(V)
Effective Pixels	Approx. 2 Mega pixels
Aspect Ratio	HD: 16:9 SD: 4:3
Zoom	X5 Optical Zoom / X12 Digital Zoom
Focal Length	f = 5 ~ 25.0 mm, F3.5 ~ F3.7
Horizontal angle	49.2°(W)~10.52°(T)
Range	Pan : 350° , Tilt : 90°
Pan/Tilt Speed	Preset : 120°/ sec , Manual : MAX 120°/sec
Sensor In/Out	1 Input/ 1 Output
Audio In/Out	1 Input/ 1 Output
Power	DC 12V 10W, PoE IEEE 802.3af
OS Supported	Windows 7, Vista, XP, 2000

All specifications are subject to change without notice.