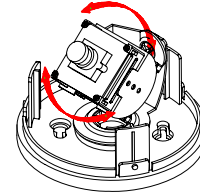
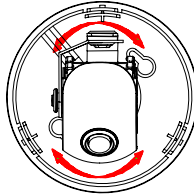
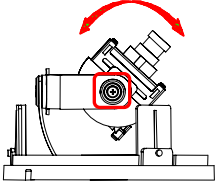


GANZ ZN-D100VE Quick User Guide

This manual has been designed to guide you through basic settings of your IP devices, such as installation and configuration for using them.

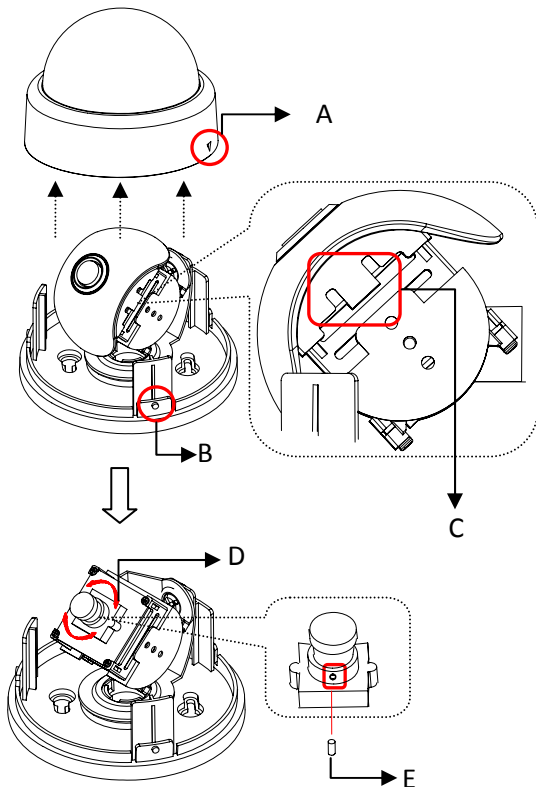
Step1. . Assemble and install IP device

Manual adjustment for 3-axis movements



After installation, make a manual adjustment on the inner liner. Perform 3-axis movements manually by turning the inner liner to different directions as above, and check if it moves properly. After adjustment, fasten the screw of the rotation axis.

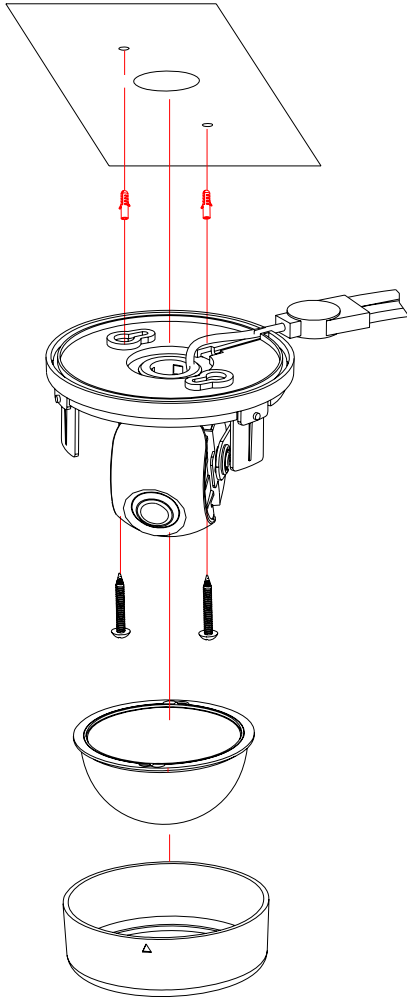
Lens Focus Adjustment



- 1) Open the dome cover from the device.
- 2) Uncover the latch(C) carefully to remove the lens cover.
- 3) Rotate the lens focus ring(D) to adjust the focus and fasten the screw(E) using the included hex wrench.
- 4) Push the lens cover to the module until the latch(C) clicks into position.
- 5) Attach the dome cover by aligning protrusion on the body (B) with the inverted triangle mark of the dome cover (A). Turn the dome cover clockwise to lock.

* Models herein and their appearance are subject to change without any prior notice.

Installation



1) Connect the LAN cable and power supply cable with the camera. For the detailed information, please refer to the **Step2**.

2) Place the installation template (which is included in the package) on the ceiling.

3) Drill two holes on the template and insert anchor blocks into the holes. Fasten the camera with screws.

4) Put the dome cover on the main body of the camera. Make sure the main body and the cover fit each other into place.



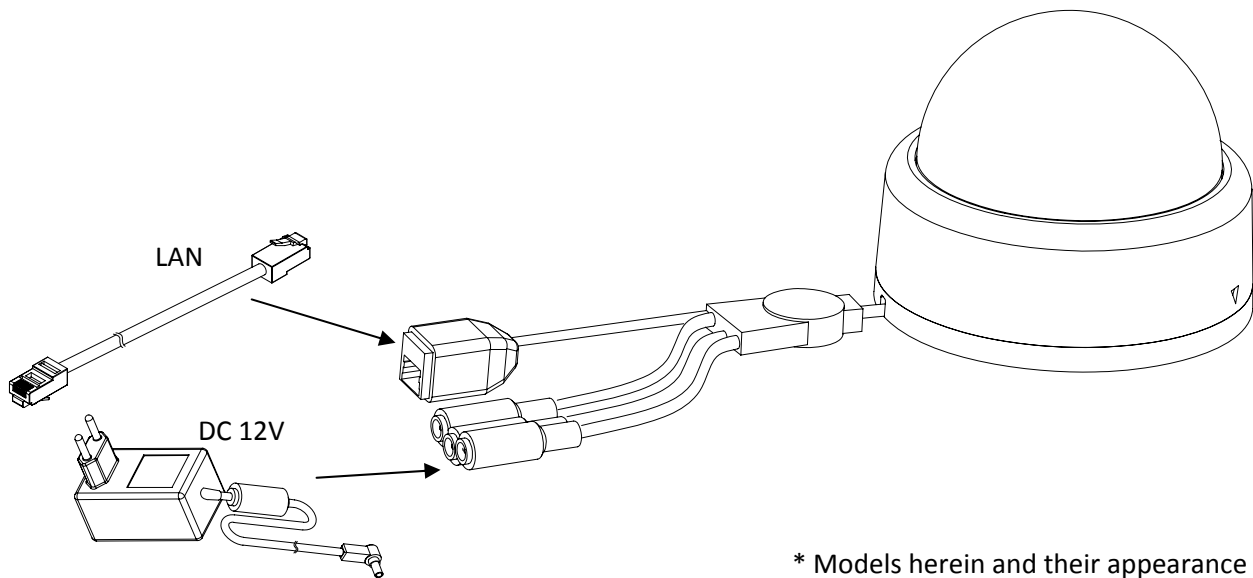
Caution

When assembling the main body of the camera and its dome cover, make sure they fit each other into place.

The camera may fall off the ceiling even after the proper installation and mounting. To prevent any accident, make sure the ceiling is firm and stable enough to support the camera. If any reinforcement is needed, consult with your safety personnel and proceed with the installation.

Step2. Connect cables to IP device

Connect each cable to the device. To see the correct positions of all connectors, refer to the following image below.



* Models herein and their appearance are subject to change without any prior notice.

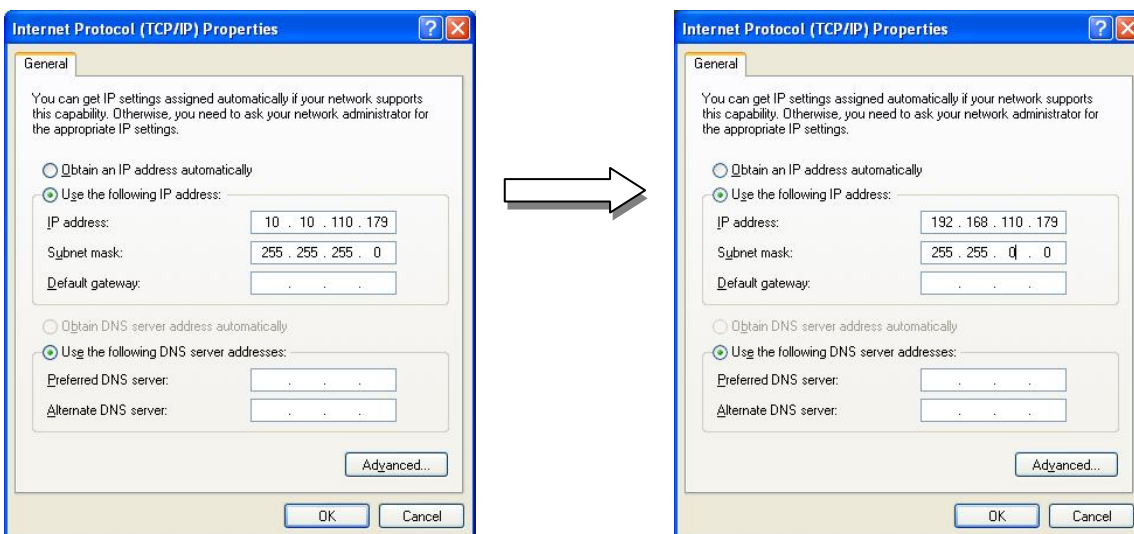
 Caution	Make sure the polarity is correct. Incorrect connection may cause malfunction or damage to the IP device.	Power Adaptor Connector (DC 12V)
--------------------	---	--------------------------------------

Step3. Set up network environment

The default IP address of your IP device is 192.168.XXX.XXX. You can find the available IP address from the MAC address of your device. Please make sure the device and your PC are on the same network segment before running the installation. If the network segment was different between your PC and the device, change your PC's settings as below.

IP address : **192.168.xxx.xxx**

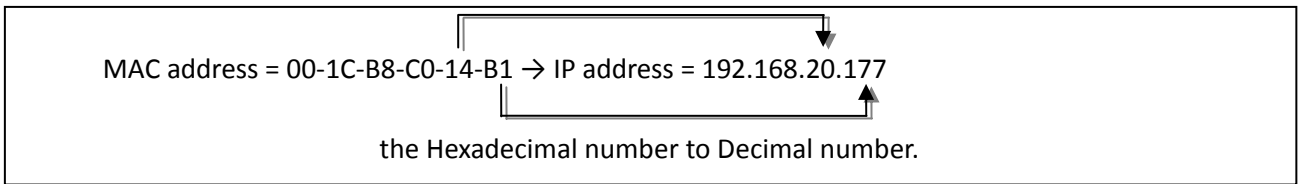
Subnet mask: **255.255.0.0**



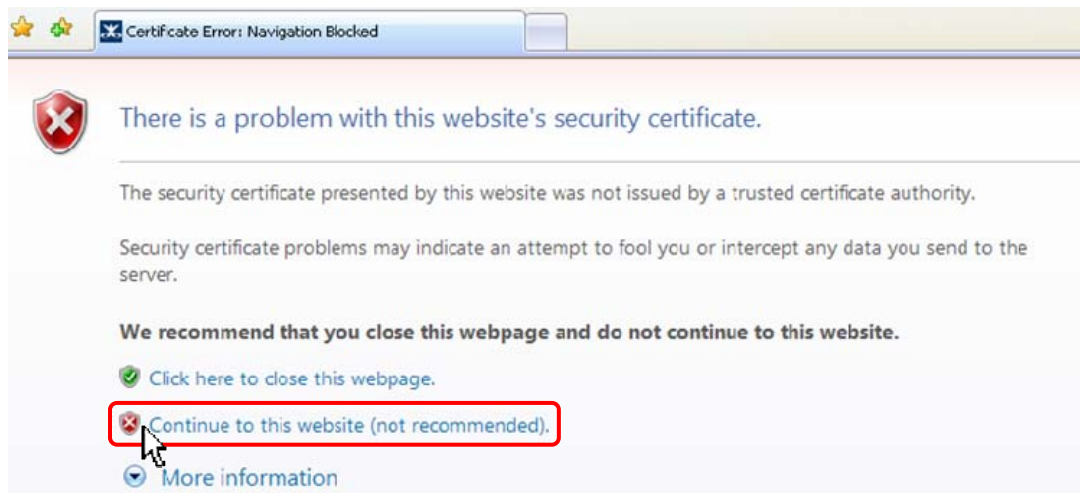
STEP4. View video on web page

View the live video on a web page using your IP device and its IP address. To have the correct IP address ready and use it on a web page:

1. Convert a MAC address to an IP address.
(The MAC address is attached on the side or bottom of the device.)



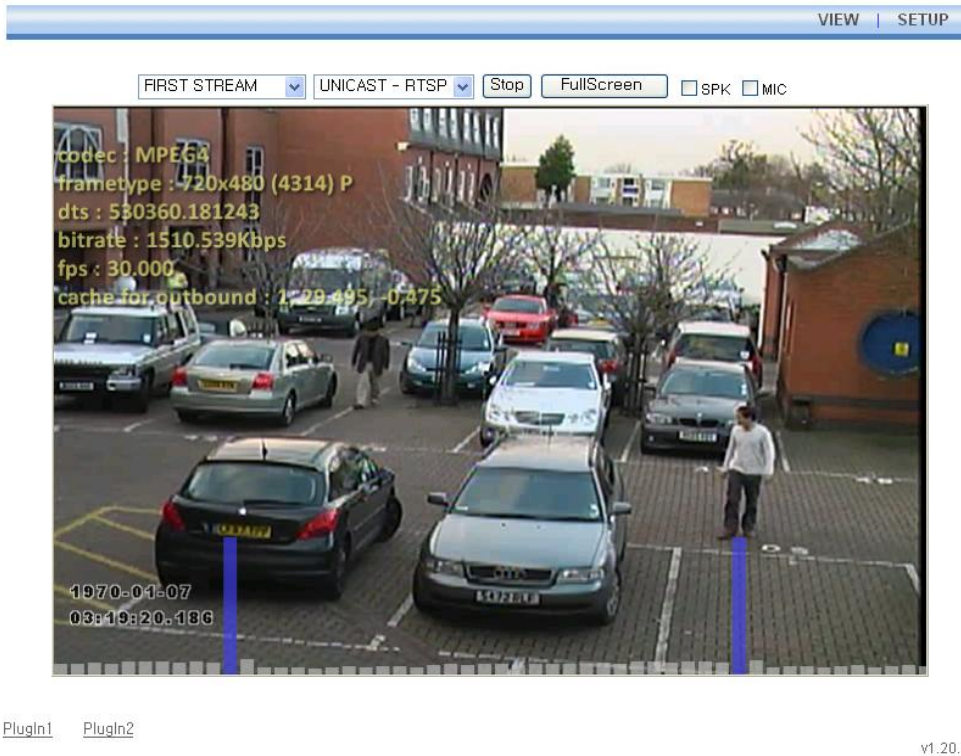
2. Open a web browser and enter the IP address of the device.
3. Click **Continue to this website (not recommended)** as below.
(The explanation and captured images at this manual are mainly on the basis of Internet Explorer 7.0)



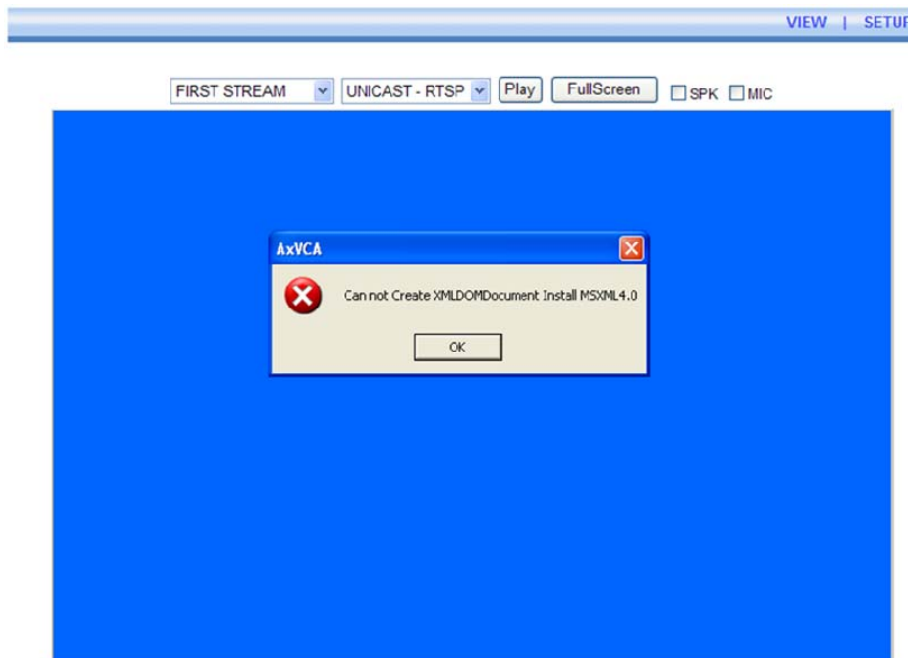
4. Click **pop-up blocked** and install the ActiveX control as below. You need to install the ActiveX for displaying the images.



5. Wait for a few seconds while the web page loads. The live video is displayed as below.



6. If the live video is not displayed and **“Can not Create XMLDOMDocument Install MSXML4.0”** message is shown as below, please download and Install from the link below.
<http://www.microsoft.com/downloads/details.aspx?familyid=3144B72B-B4F2-46DA-B4B6-C5D7485F2B42&displaylang=en>
(VCA Library requires MS XML 4.0 library which is an xml parser made by Microsoft.)



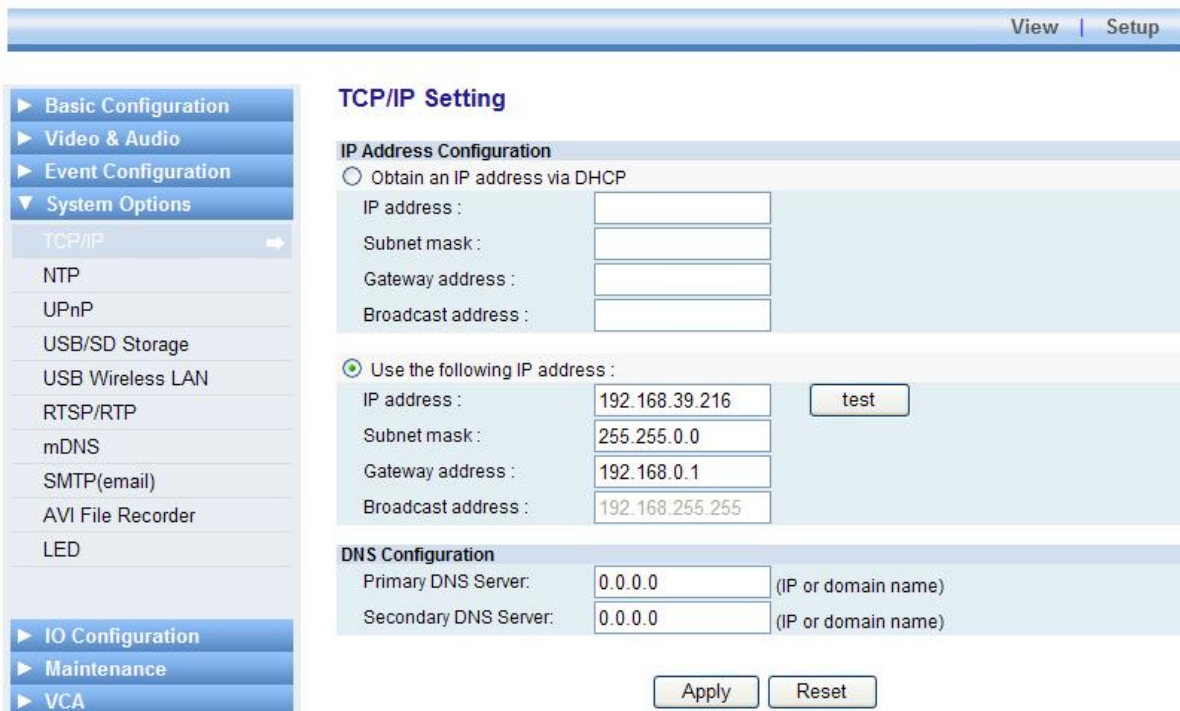
Step5. Setting IP Address

To set up the Network configuration:

1. Click **Setup** on the upper right of the web page. The login page is displayed as below.
2. Enter the default user name (root) and the default password (pass), and then select **OK**.



3. Click **System Options**, and then select **TCP/IP** from the drop-down menu.



To change the IP address, please make sure to check and have the correct Subnet mask and Gateway ready. To use DHCP, select **Obtain an IP address via DHCP**.

To learn how to set up the web page for advanced configuration, refer to the Web Page User's Manual, which is available on the SDK at the following path.

{SDK root}\DOC\

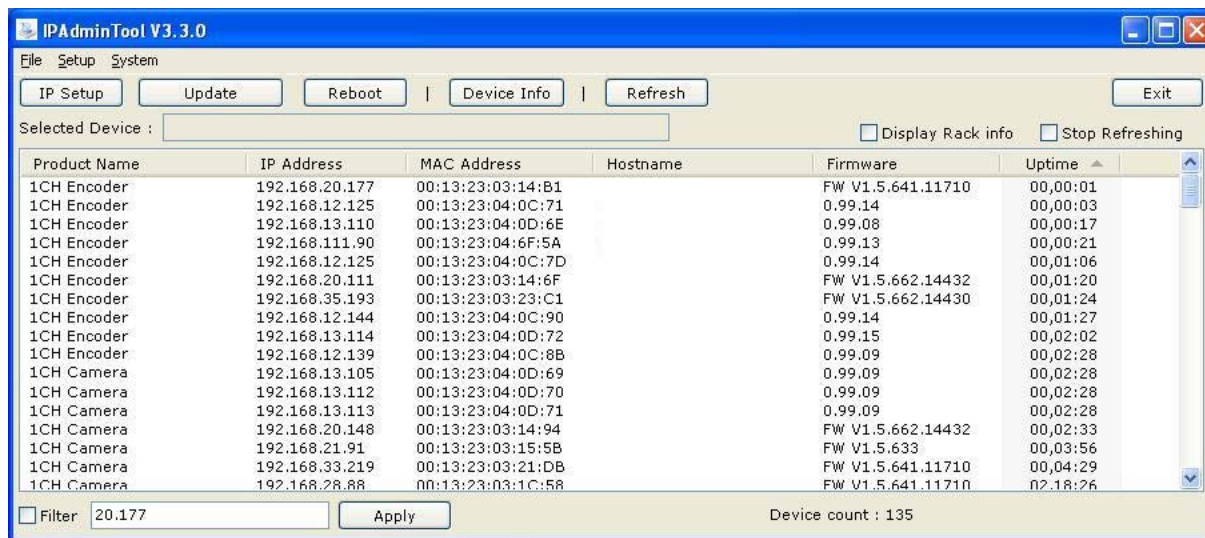
Advanced setup (ZNS-GIT IPAdminTool)

ZNS-GIT IPAdminTool is a utility program for IP products. Following list shows a part of features that ZNS-GIT IPAdminTool provides.

- Configure IP address, Subnet mask and Gateway
- Shows network related information such as MAC address
- Updates firmware
- Reboots the device

ZNS-GIT IPAdminTool is provided with SDK at the following SDK path.

```
{SDK root}\BIN\TOOLS\AdminTool\
```



More Information

To learn more about using other features of your devices, refer to the manual, which is available on the SDK at the following path.

```
{SDK root}\DOC\
```