

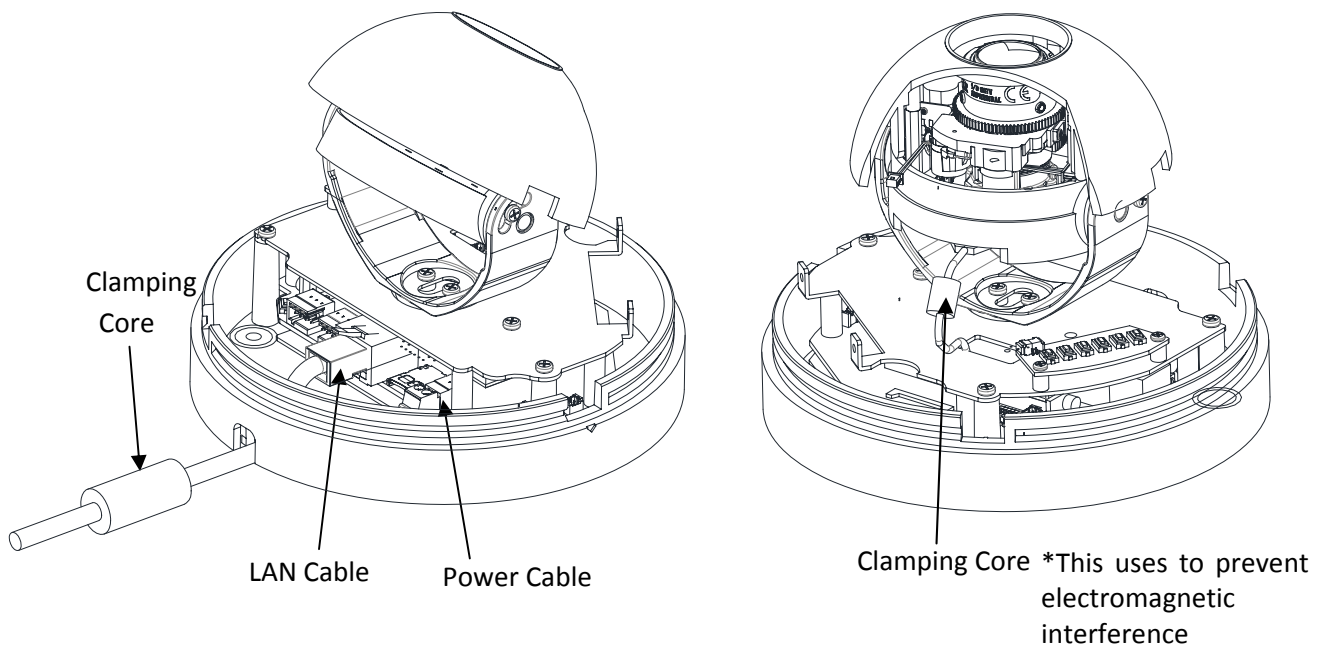
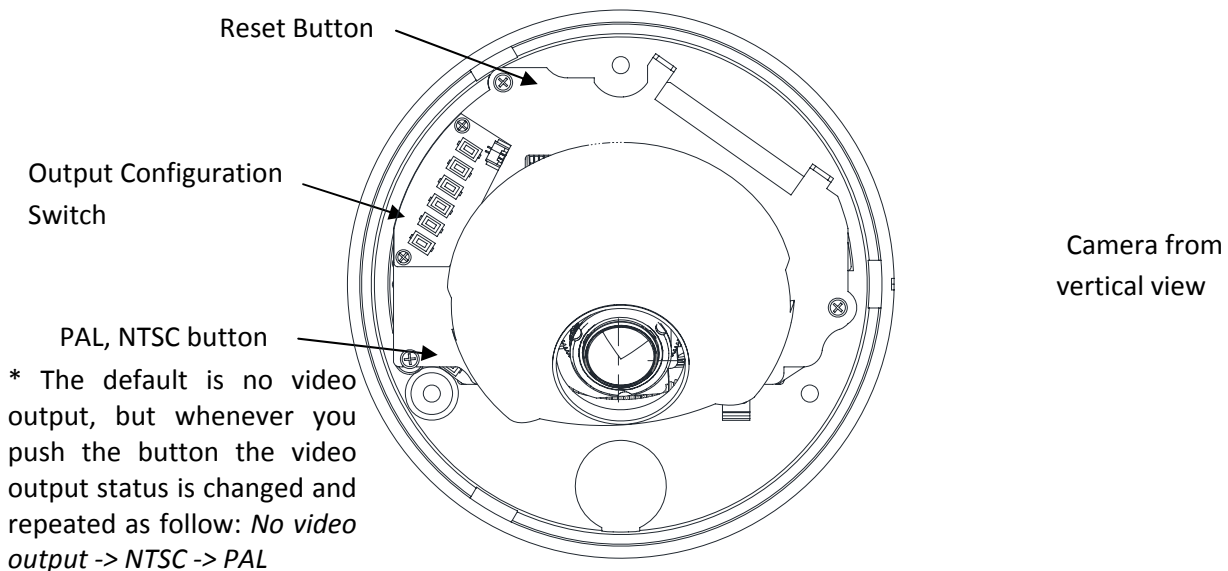
GANZ ZN-DN312XE-M Quick User Guide

This manual provides instructions for quick installation and basic configuration of your IP device.

Step1. Connect cables to IP device

Connect required cables to the device including the power cable and LAN cable. To see the correct positions of all connectors, refer to the following image below.

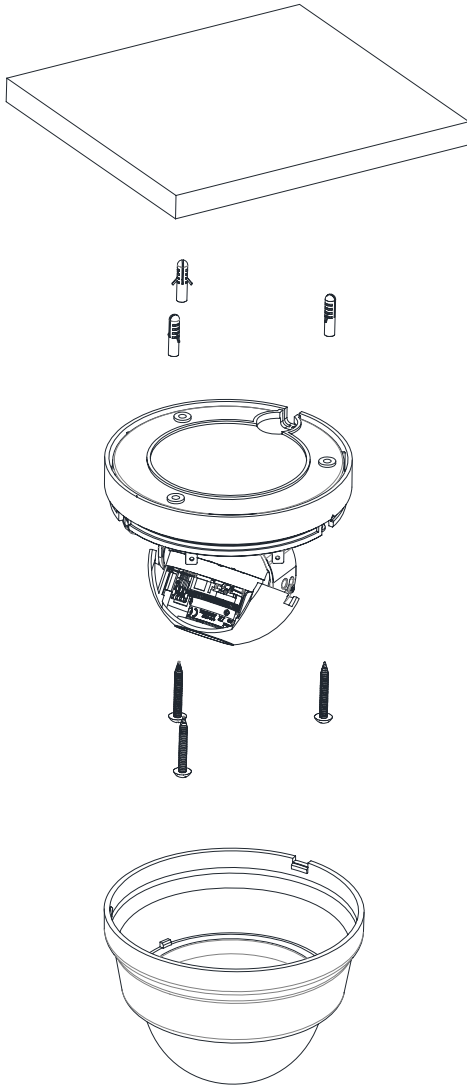
*Reset and PAL/NTSC buttons are located under PCB.



* Model design and appearance are subject to change without any prior notice.

<p>Caution</p>	<p>The device is polarity sensitive. Incorrect power connection may cause malfunction or damage to the IP device.</p>	<p>Power Adaptor Connector (DC 12V)</p>
-----------------------	---	---

Step2. Install IP device



1) Place the installation template (paper) that is included in the package on the desired installation surface.

2) Drill three holes in correct positions based on the template paper, and insert anchor blocks into the holes.

3) Place the camera body and match three alignment holes with three anchor blocks. Fasten the camera with screws.

4) Connect all the required cables to the camera.

5) Adjust the lens position by referring to the **Step 3. Set the lens position**

6) Place the dome cover on the main body of the camera. Dome cover has three alignment holes that match camera body's alignment holes.

7) Once properly placed, insert alignment screws into the three holes of the body and fasten them up.



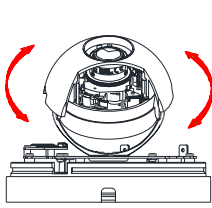
Caution

When assembling the main body of the camera and its dome cover, make sure they fit each other into place.

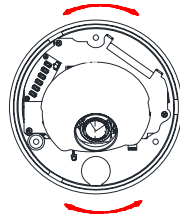
To prevent products from damaging, place the camera on stable and non-vibrating surfaces. If the surface is unstable, consult with safety personnel for reinforcements first, and then proceed with the installation.

Step3. Set the lens position

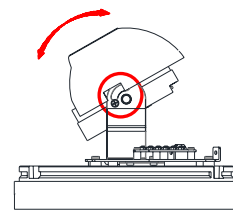
- 1) Remove the dome cover.
- 2) Adjust the lens to the desired position by manually moving its reinforced body, upper lens shell, or horizontal platform in the following directions.



A. Rotate the lens with upper lens shell



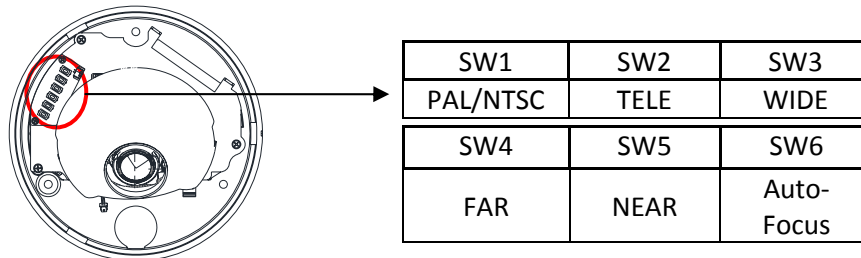
B. Pan the lens with reinforced lower body



C. Tilt the lens with horizontal platform

Connect to the web page of the device to see its real-time image. Refer to *step 6. Configuration* for details about using its web page.

- 3) Configure each setting of 6 switches as below.



Step4. Set up network environment

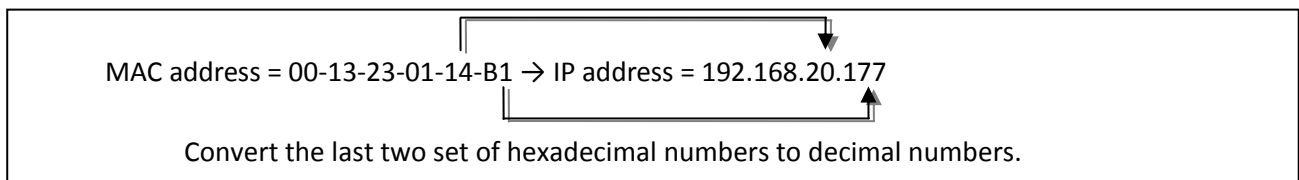
The default IP address of the device is 192.168.XXX.XXX. Users can identify the IP address of the device from converting the MAC address's hexadecimal numbers, which is attached to the device. Be sure that the device and PC are on a same area network before running the installation.

Generic IP Environment

In case of generic private network environment where IP address 192.168.XXX.XXX are used, users may view the live streaming images on a web page using the device's default IP address:

1. Convert the device's MAC address to the IP address. Refer to the Hexadecimal-Decimal Conversion Chart at the end of the manual.

(The MAC address of the device is attached on the side or bottom of the device.)



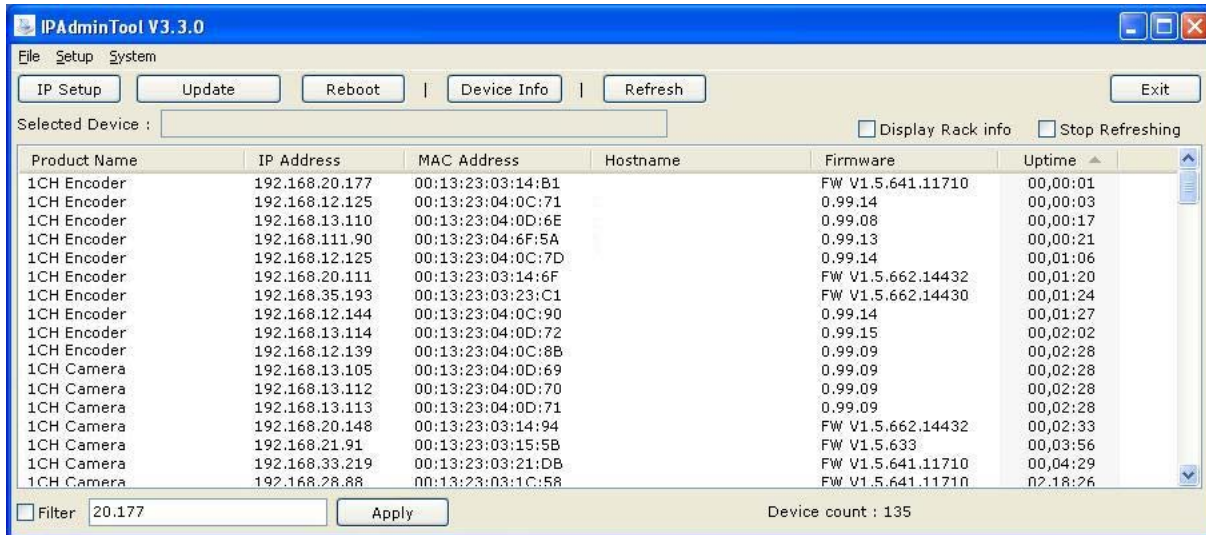
2. Start the Microsoft® Internet Explorer web browser and enter the IP address of the device.
3. Web streaming and device configurations are supported through ActiveX program. When the ActiveX installation pop-up window appears, authorize and install the ActiveX setup.exe.

Custom IP Environment

IPAdminTool is provided with SDK at the following SDK path.

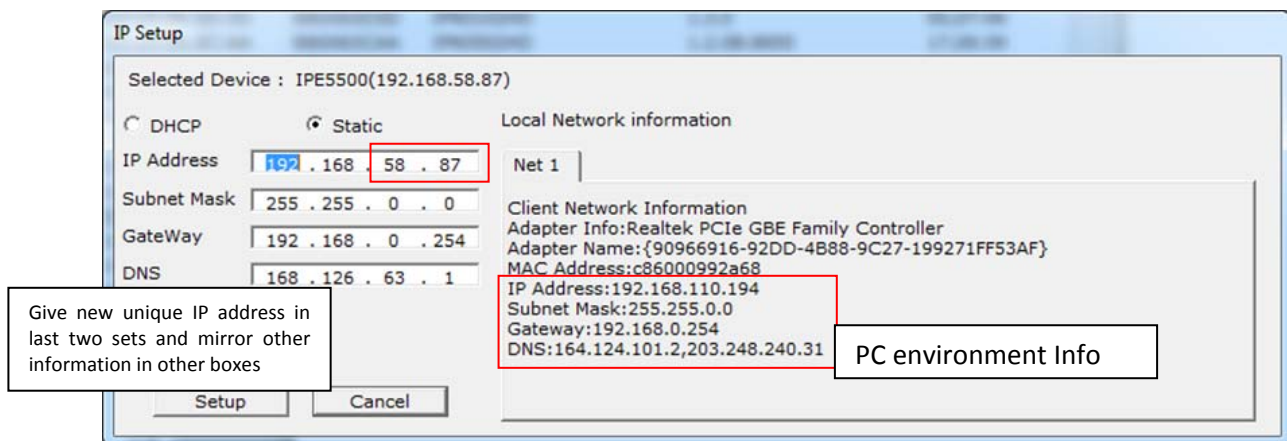
{SDK root}\BIN\TOOLS\AdminTool\

IPAdminTool is a management tool, which automatically scans all of the network products for users to perform administrative tasks, which includes network configurations, firmware update, device reboot, and device organizations.



To modify the device's default IP address for customized network area;

1. Find the device from the IPAdminTool's list and highlight the device's name.
2. Right-click the mouse and select "IP Address"; IP Setup window appears.

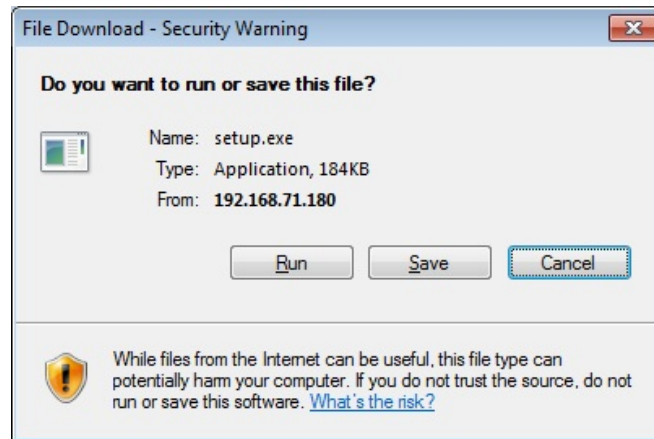


3. In the IP Setup's window, information under 'Local Network information' displays the user/PC's network area information. Those information need to be incorporated to the IP Address, Subnet Mask, Gateway, and DNS boxes, except the last 2 sets of IP Address, which are to be the unique numbers for the device. Refer to the image above for the setting
4. Click 'Setup' to complete the modification.

Step5. View video on web page

Once the device has the proper IP address, users can view the live streaming images through a web browser.

1. Type the correct IP address in the Microsoft® Internet Explorer
2. Grant the ActiveX and add-on alerts and proceed with installations.



4. Follow the instructions of the dialog boxes and complete the installation. Once the installation is complete, refresh the browser and video stream is displayed in the main view frame.



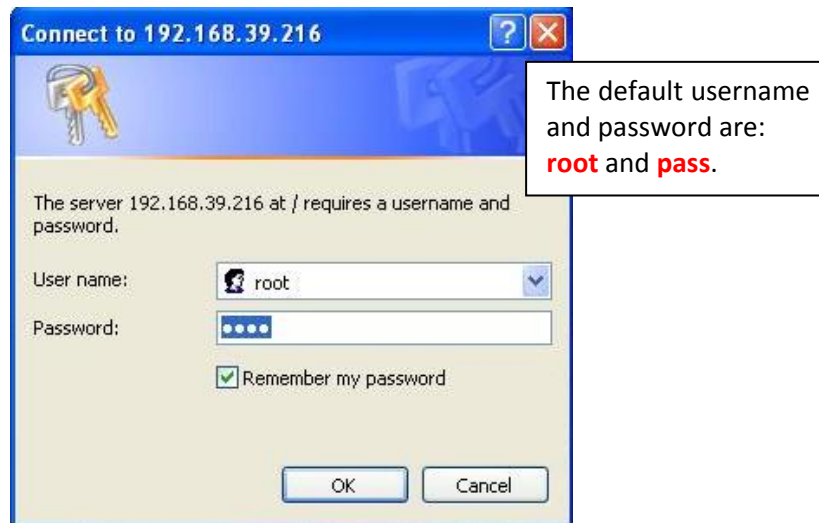
Caution

If "This software requires the Microsoft XML Parser V6 or higher. Please download MSXML6 from the Microsoft website to continue. Error code: Cannot create XMLDOMDocument." message appears, download and install the Microsoft Core XML Services (MSXML) 6.0.

Step6. Setting IP Address

To set up the Network configuration:

1. Click **Setup** on the upper right of the web page. The login page is displayed as below.
2. Enter the default user name (root) and password (pass), and then select **OK**.



3. Click **System Options** on the left of the **Setup** page, and then select **TCP/IP** from the drop-down menu.
4. Input the data for the IP address configuration, and click the **Apply** button on the bottom of the page.

When modifying the IP address, be advised to have the correct Subnet mask and Gateway ready. To use DHCP, select **Obtain an IP address via DHCP**.

Refer to the web page user's manual to learn about advanced configuration setups through the web page.

Rebooting

Perform the following procedures to reset your device:

1. While the device is in use, press the Reset button.
2. Wait for the system to reboot.

Resetting to the Factory Default Settings

If you reset your device to the factory default setting, all parameters including the IP address will return to initial factory settings.

To reset back to the factory default settings:

1. Press reset button and hold.
2. Release the Reset button after 5 seconds until LED blinks.
3. Wait for the system to reboot.

More Information

To learn more about using other features of the devices, refer to the installation guide and user's manuals.

Hexadecimal-Decimal Conversion Table

Refer to the following table when you convert the MAC address of your device to IP address

Hex	Dec	Hex	Dec	Hex	Dec	Hex	Dec	Hex	Dec	Hex	Dec	Hex	Dec
00	0	25	37	4A	74	6F	111	94	148	B9	185	DE	222
01	1	26	38	4B	75	70	112	95	149	BA	186	DF	223
02	2	27	39	4C	76	71	113	96	150	BB	187	E0	224
03	3	28	40	4D	77	72	114	97	151	BC	188	E1	225
04	4	29	41	4E	78	73	115	98	152	BD	189	E2	226
05	5	2A	42	4F	79	74	116	99	153	BE	190	E3	227
06	6	2B	43	50	80	75	117	9A	154	BF	191	E4	228
07	7	2C	44	51	81	76	118	9B	155	C0	192	E5	229
08	8	2D	45	52	82	77	119	9C	156	C1	193	E6	230
09	9	2E	46	53	83	78	120	9D	157	C2	194	E7	231
0A	10	2F	47	54	84	79	121	9E	158	C3	195	E8	232
0B	11	30	48	55	85	7A	122	9F	159	C4	196	E9	233
0C	12	31	49	56	86	7B	123	A0	160	C5	197	EA	234
0D	13	32	50	57	87	7C	124	A1	161	C6	198	EB	235
0E	14	33	51	58	88	7D	125	A2	162	C7	199	EC	236
0F	15	34	52	59	89	7E	126	A3	163	C8	200	ED	237
10	16	35	53	5A	90	7F	127	A4	164	C9	201	EE	238
11	17	36	54	5B	91	80	128	A5	165	CA	202	EF	239
12	18	37	55	5C	92	81	129	A6	166	CB	203	F0	240
13	19	38	56	5D	93	82	130	A7	167	CC	204	F1	241
14	20	39	57	5E	94	83	131	A8	168	CD	205	F2	242
15	21	3A	58	5F	95	84	132	A9	169	CE	206	F3	243
16	22	3B	59	60	96	85	133	AA	170	CF	207	F4	244
17	23	3C	60	61	97	86	134	AB	171	D0	208	F5	245
18	24	3D	61	62	98	87	135	AC	172	D1	209	F6	246
19	25	3E	62	63	99	88	136	AD	173	D2	210	F7	247
1A	26	3F	63	64	100	89	137	AE	174	D3	211	F8	248
1B	27	40	64	65	101	8A	138	AF	175	D4	212	F9	249
1C	28	41	65	66	102	8B	139	B0	176	D5	213	FA	250
1D	29	42	66	67	103	8C	140	B1	177	D6	214	FB	251
1E	30	43	67	68	104	8D	141	B2	178	D7	215	FC	252
1F	31	44	68	69	105	8E	142	B3	179	D8	216	FD	253
20	32	45	69	6A	106	8F	143	B4	180	D9	217	FE	254
21	33	46	70	6B	107	90	144	B5	181	DA	218	FF	255
22	34	47	71	6C	108	91	145	B6	182	DB	219		
23	35	48	72	6D	109	92	146	B7	183	DC	220		
24	36	49	73	6E	110	93	147	B8	184	DD	221		