

H.264 NETWORK CAMERA

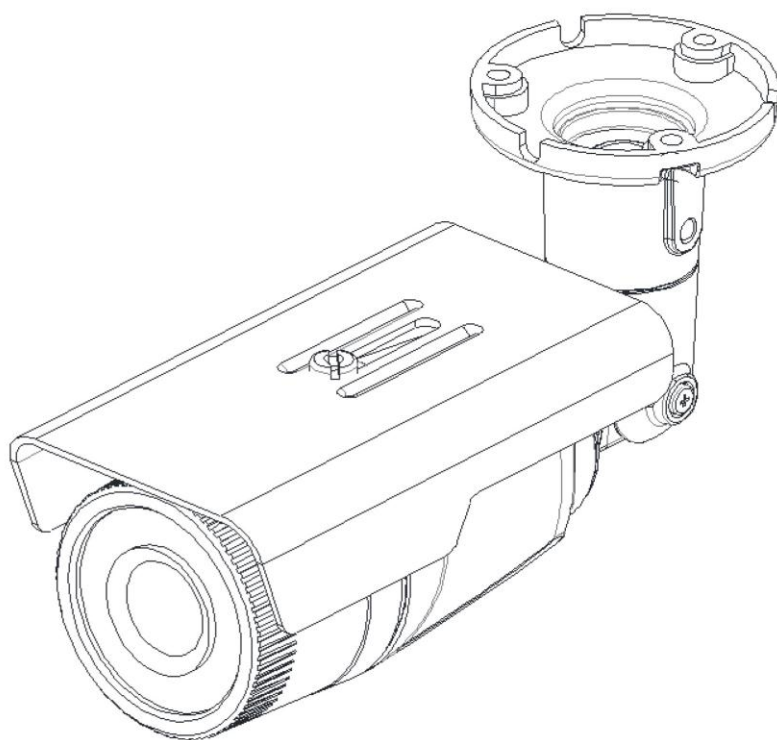
WITH **OXI** TECHNOLOGY

GANZ PixelPro SERIES

ZN1-N4NFN6

| Installation Guide

Before connecting, operating or adjusting this product,
read this instruction booklet carefully and completely



Precaution

- Please read this manual carefully before installing the unit.
- Never disassemble the camera. Unauthorized disassembly may cause equipment failure or damage to the unit.
- Please do not install the camera in a place exposed to direct sunlight.
- Do not operate the camera in environments beyond the specified temperature. Refer to “**Environment Condition**” on “**APPENDIX (A) : SPECIFICATIONS**” in this manual.
- Before applying power to the camera, check the power source to ensure that it is within the specifications. Refer to “**Electrical Characteristics**” on “**APPENDIX (A) : SPECIFICATIONS**”

Table of Contents

Precaution	2
1. FEATURES	4
2. PACKAGE CONTENTS	5
3. PART NAMES	6
4. INSTALLATION	7
4.1. Installing the camera.....	7
4.2. Adjusting the angle of the camera.....	9
4.3. Setting the Image Attribute	10
5. CONNECTIONS	11
6. CONFIGURATION	14
6.1. Set up network environment	14
6.1.1. Generic IP Environment	14
6.1.2. Custom IP Environment.....	15
6.2. View video on web page	16
6.2.1. ActiveX Installation.....	16
6.2.2. View video using IPAdmin Tool.....	17
6.3. Reset.....	18
6.4. Factory Default.....	18
6.5. Safe Mode	19
APPENDIX (A): SPECIFICATIONS	21
Summary	21
Electrical Characteristics	22
Environment Condition	22
Mechanical Condition	22
APPENDIX (B): POWER OVER ETHERNET	23
PoE compatibility	23
Power Comparison.....	23
APPENDIX (C): DIMENSIONS	24
APPENDIX (D): HEXADECIMAL-DECIMAL CONVERSION TABLE	25
REVISION HISTORY	26

1. FEATURES

Camera

- SONY EXMOR 1/2.9" 1080p CMOS Image Sensor
- True Day / Night
- WDR
- Embedded IR Illuminator
- Weather Proof (IP66)

Video

- H.264 Baseline, Main, High profile(MPEG-4 Part 10/AVC), MJPEG(Motion JPEG)
- Max 30 fps in 1080p
- Text Overlay

Network

- 10 / 100 Base-T Ethernet

Integration

- Software Development Kit (SDK) available
- ONVIF Compliant (Profile S)

General

- microSD slot
- Power Over Ethernet (PoE)

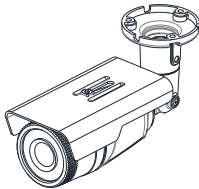
Video Contents Analytics (VCA)

- VCA Presence (Standard)
- VCA Surveillance (Optional)

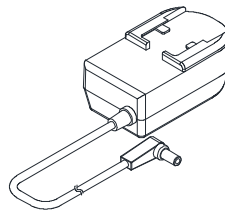
2. PACKAGE CONTENTS

Please unpack the package carefully and handle the equipment with care. The package contains:

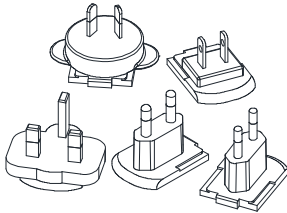
Camera



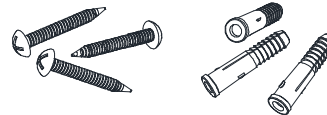
DC Power Adaptor



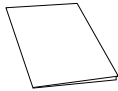
Universal Plugs



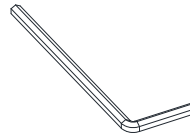
Screws and anchors blocks



Quick Installation Guide



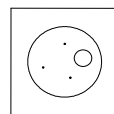
Hex Wrench Driver



Silicon Waterproof Band



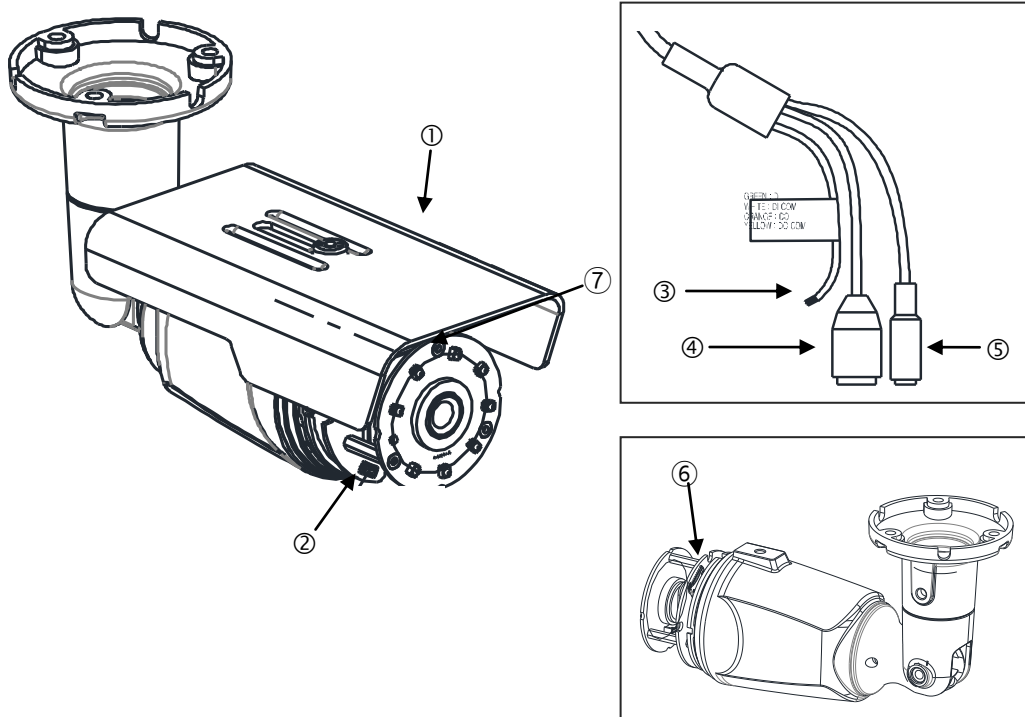
Installation Template



Note

The contents above are subject to change without prior notice.

3. PART NAMES



* Models herein and their appearance are subject to change without any prior notice.

① Sunshield

Position the sunshield to prevent direct sunshine.

② Reset button

Use the button to restart the device or to reset it to Factory Default. Refer to “**6.3. Reset**” and “**6.4. Factory Default**” for more details.

③ Terminal Connector

Connector for cable connection of digital input/output. Refer to “**5. Connections**” for more details.

④ Power Adaptor Connector

Use 12VDC 1A power supply.

⑤ LAN connector

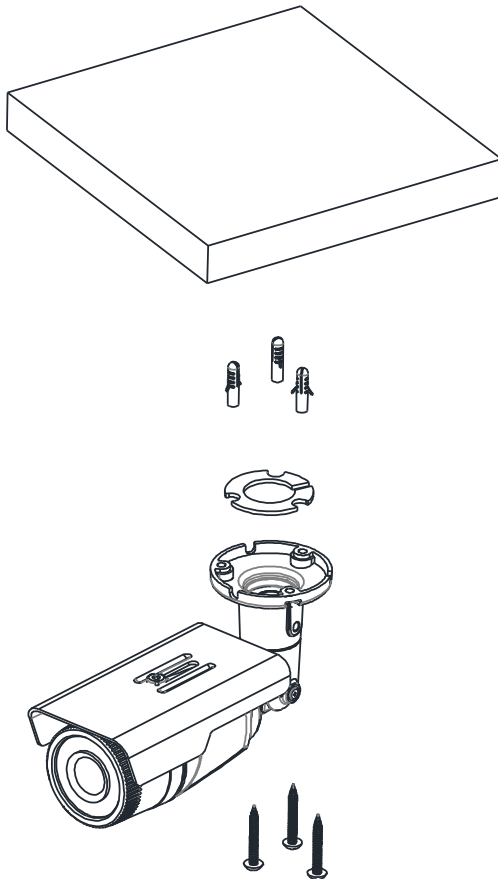
RJ45 LAN connector for 10/100 Base-T Ethernet (PoE supported)

⑥ microSD slot

Supports up to 64GB. Recommend Class 4 and higher for HD recordings.

4. INSTALLATION

4.1. Installing the camera



1) Place the installation template (outline shown on the next page) included in the package on the desired installation surface.

2) Drill holes in correct positions based on the template paper, and insert anchor blocks into the holes.

3) Make sure the necessary cables including a LAN cable and a power cable are properly connected to the camera either thru the ceiling or thru the groove around the mounting plate.

4) Place the camera body and match three alignment holes with three anchor blocks and hold against the mounting surface.

5) Tighten the anchor blocks with screws.

6) Adjust the angle of the camera. Refer to "**4.2. Adjusting the angle of the camera**" for more details.



Caution

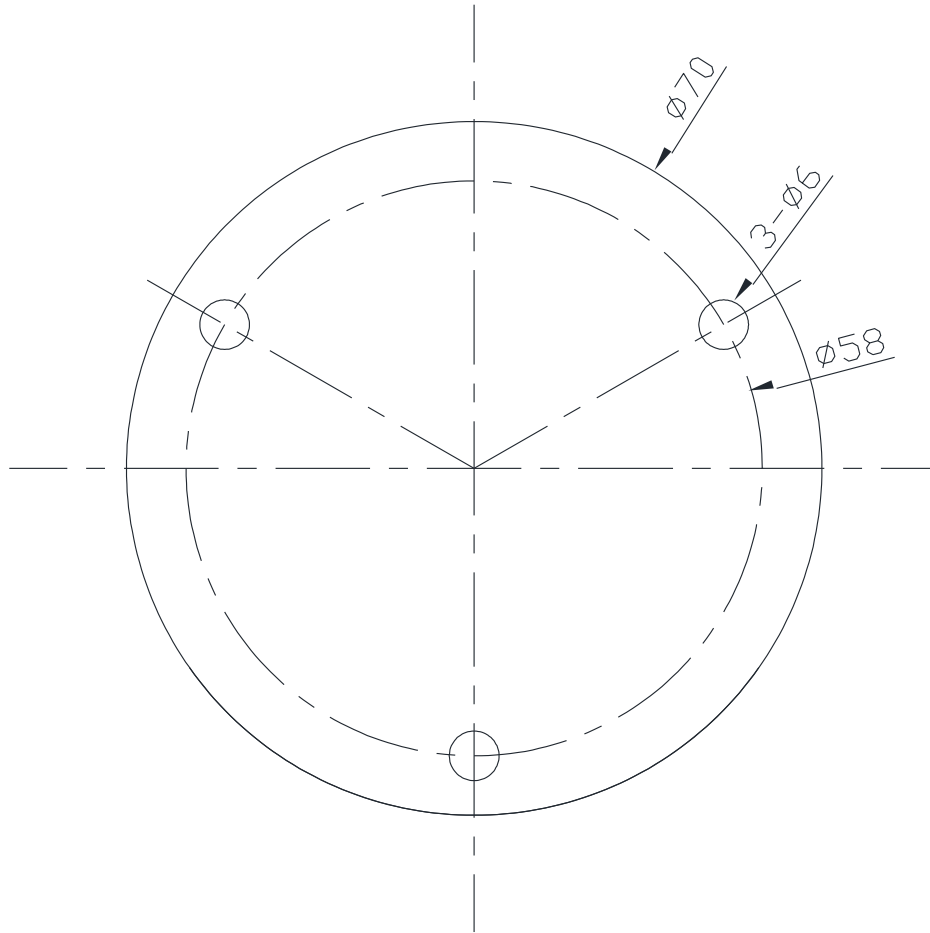
Sealing gaps is recommended as gaps may appear after the camera installation. Gaps may cause problems such as moisture, water leakage, and etc., which negatively affect the operation of the camera if gaps appear but remain unsealed.



Caution

To prevent products from damage, place the camera on stable and non-vibrating surfaces. If the stability is in doubt, consult safety personnel for reinforcements, and then proceed with the installation.

Installation Template



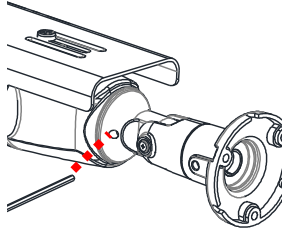
(Unit: mm)

**Caution**

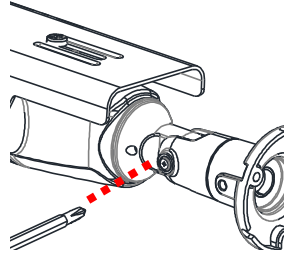
Installation template's image size scale in this installation guide is not 1:1. The correct-size template design paper can be found inside the package separately.

4.2. Adjusting the angle of the camera

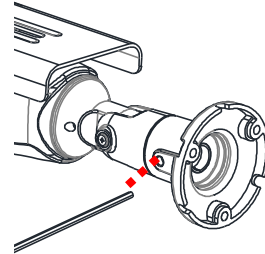
Adjust the camera to the desired angle by unscrewing the joints referring to the following pictures.



Adjust the joint to install the camera on the wall



Tilting adjustment



Panning adjustment

4.3. Setting the Image Attribute

Through the camera's webpage, users can configure image settings. The menu of image attribute is available under Video Appearance menu in Setup > Video & Audio > Camera. The following features can be adjusted: Brightness, Contrast, Saturation, Sharpness and orientation

For more detailed information, refer to the provided "PixelPro GXi series Web Page User's Manual".

Setup > Video & Audio > Camera

General

Friendly name :

Video Appearance

Brightness : 128 (0 ... 255, 128)

Contrast : 128 (0 ... 255, 128)

Saturation : 128 (0 ... 255, 128)

Sharpness : 128 (0 ... 255, 128)

Orientation : Vertical flip Horizontal mirror

Exposure

Exposure mode : Auto
Minimum shutter speed : 1 / (1/50 ... 1/5000 sec)

Manual
Shutter speed : 1 / (1/2 ... 1/5000 sec)

Flickerless
 50Hz 60Hz

Maximum AGC : (0 ... 100)

Exposure adjustment : EV

Back light compensation : On Off

Digital slow shutter :

Smart IR : Auto Manual 128 (0 ... 255, 128)

Digital Wide Dynamic Range

Enable

Day & Night

Day & Night mode : Auto Day Night

Day to Night level : 0 (0 ... 63, 0)

Night to Day level : 3 (1 ... 64, 3)

White Balance

White balance mode :

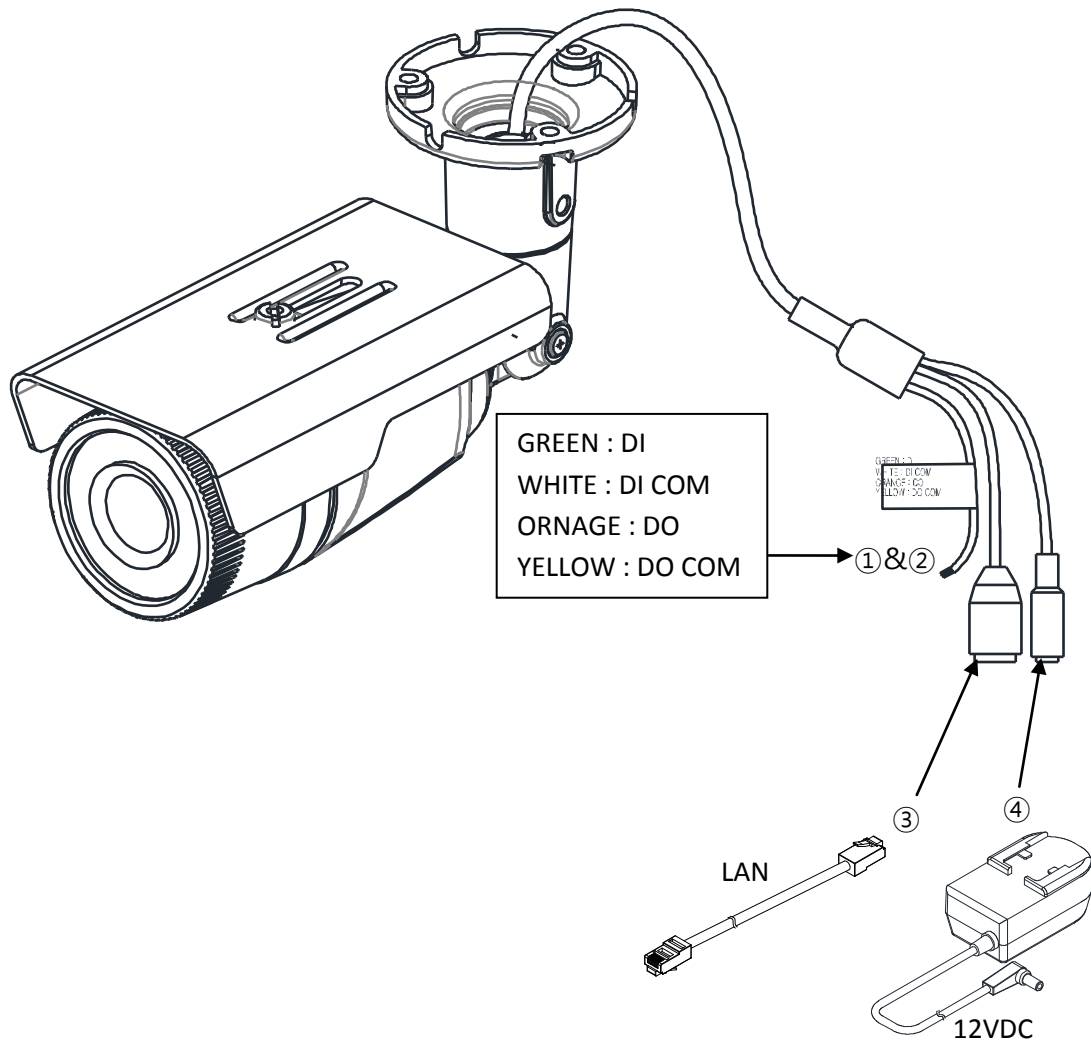
Red : 128 (0 ... 255)

Blue : 128 (0 ... 255)

Image Signal Processing

Dynamic 2D DNR : 15 (0 ... 15)

5. CONNECTIONS



① Sensor (DI) connection

Sensor (DI) can be connected to either a voltage type sensor or a relay type sensor as the following figures. The interface type can be controlled by web user interface.

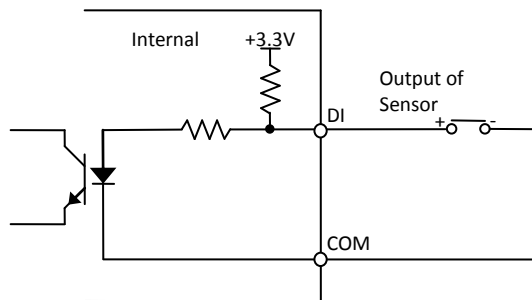
Refer to the provided “**PixelPro GXi series Web Page User's Manual**” for more details.

Input voltage range: 0VDC minimum to 5VDC maximum, Max 50mA

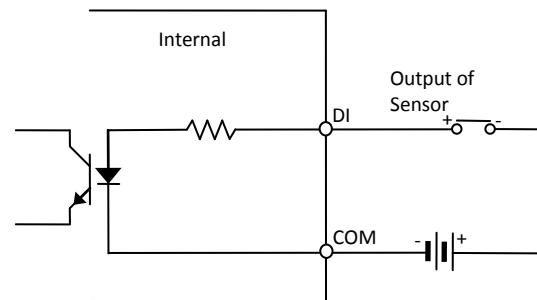


Caution

Before connecting sensors, check driving voltage and output signal type of the sensor. Since the connection is different according to sensor type, be careful to connect the sensor. Do not exceed the maximum input voltage or relay rate.



Relay Type



Voltage Type

② Alarm (DO) connection

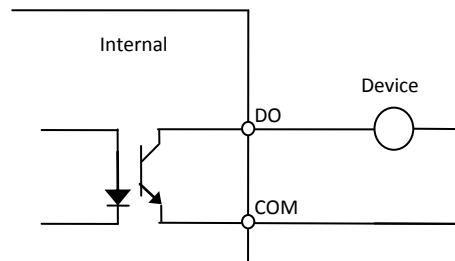
Only the relay type is supported.

Relay Rating: Max 24VDC 50mA



Caution

Do not exceed the maximum relay rating.



Relay Type

③ LAN connection

This is a RJ45 LAN connector for 10/100 Base-T Ethernet. Use the Ethernet cable (RJ45) to connect the device to a hub or a router in the network. Refer to “**Appendix (B). Power over Ethernet**” for more details.

④ Power connection

The camera can be powered from either 12VDC or PoE. If the camera is powered via PoE, refer to “**Appendix (B). Power over Ethernet**” for more details.

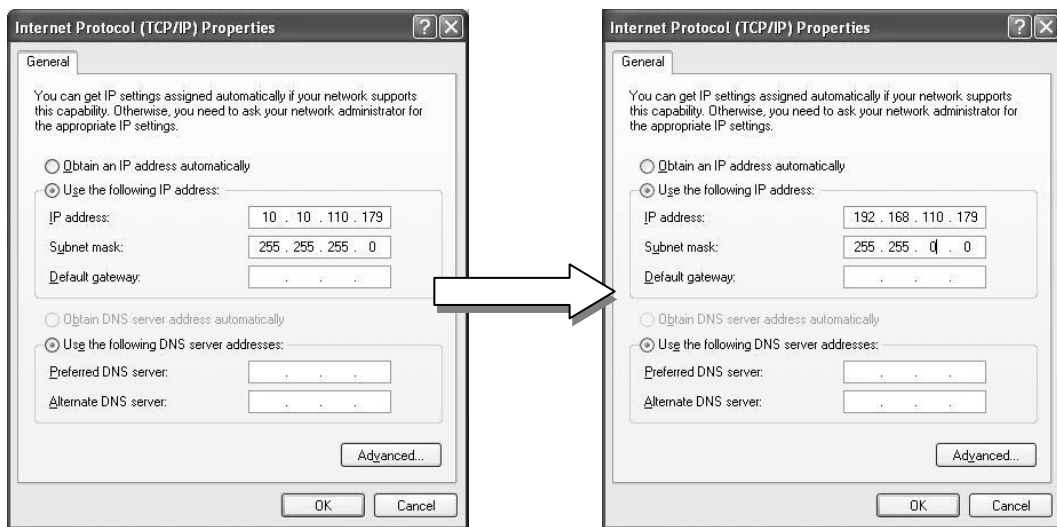
6. CONFIGURATION

6.1. Set up network environment

The default IP address of the device is 192.168.XXX.XXX. Users can identify the IP address of the device from converting the MAC address's hexadecimal numbers, which is attached to the device. Be sure that the device and PC are on a same area network before running the installation.

IP address : **192.168.xxx.xxx**

Subnet mask: **255.255.0.0**

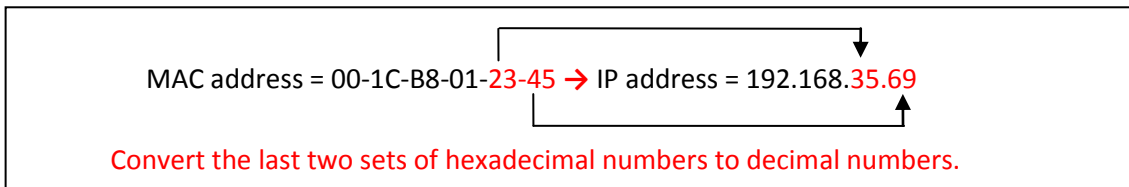


6.1.1. Generic IP Environment

In case of generic private network environment where IP address 192.168.XXX.XXX are used, users may view the live streaming images on a web page using the device's default IP address:

1. Convert the device's MAC address to the IP address. Refer to the Hexadecimal-Decimal Conversion Chart at the end of the manual.

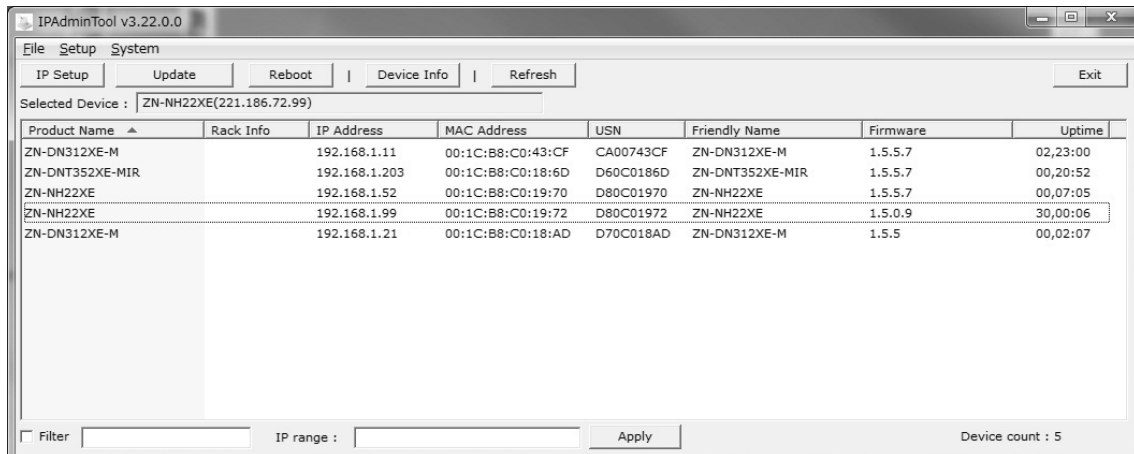
(The MAC address of the device is attached on the side or bottom of the device.)



2. Start the Microsoft® Internet Explorer web browser and enter the address of the device.
3. Web streaming and device configurations are supported through ActiveX program. When the ActiveX installation window appears, authorize and install the ActiveX.

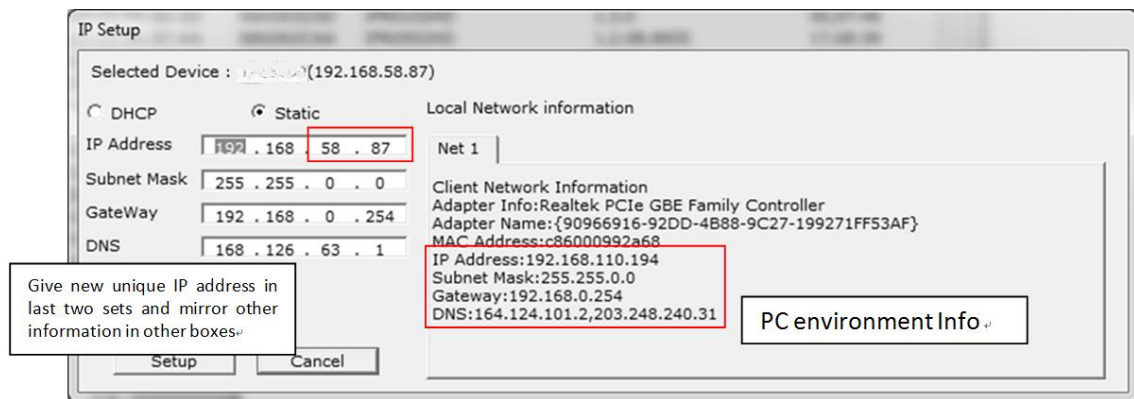
6.1.2. Custom IP Environment

IPAdminTool is a management tool, which automatically scans all of the network products for users to perform administrative tasks, which includes network configurations, firmware update, device reboot, and device organizations.



To modify the device's default IP address for customized network area;

1. Find the device from the IPAdminTool's list and highlight the device's name.
2. Right-click the mouse and select "IP Address"; IP Setup window appears.

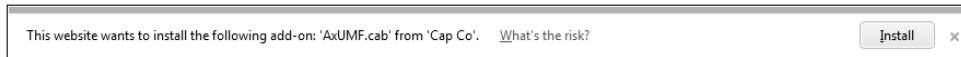


3. In the IP Setup's window, information under "Local Network information" displays the user/PC's network area information. Those information need to be incorporated to the IP Address, Subnet Mask, Gateway, and DNS boxes, except the last 2 sets of IP Address, which are to be the unique numbers for the device. Refer to the image above for the setting
4. Click "Setup" to complete the modification.

6.2. View video on web page

Type the proper IP address to view the live streaming images through a web browser. The default username and password is **root / pass**.

6.2.1. ActiveX Installation



1. When the browser asks to install the AxUMF software, click **"Install"** to proceed.



2. When Setup installation pop-up window appears, click **"Install"** to proceed with rest of installations.



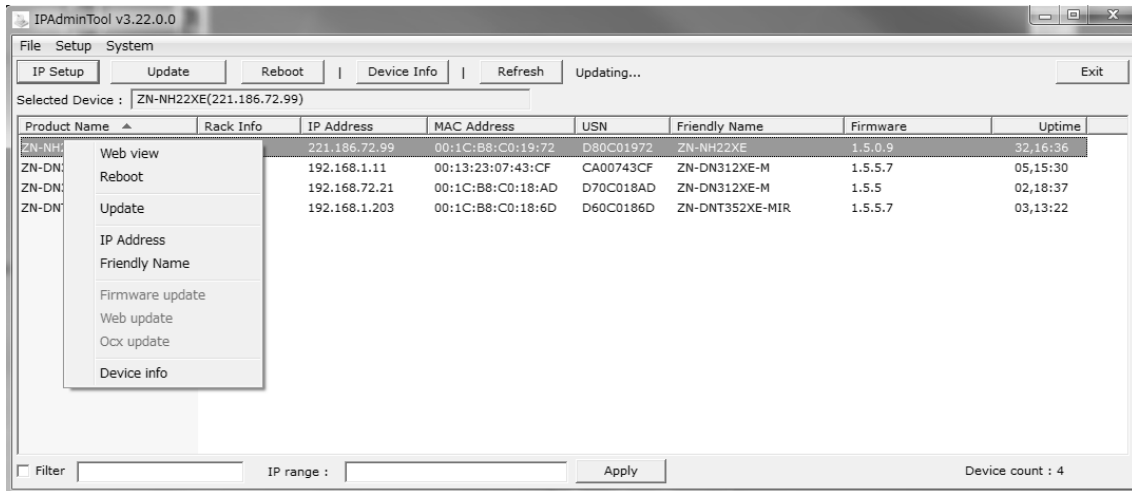
Note

Depending on system OS and Internet Explorer version, installation experience may differ from one another. Figures described above are from Windows 7, Internet Explorer 9 environment.

6.2.2. View video using IPAdmin Tool

IPAdminTool automatically searches all activated network encoders and IP cameras and shows the product name, IP address, MAC address and etc.

1. From the IPAdminTool's product list, select the device by highlighting it.
2. Right-click the mouse and select "**Web view**".



3. The system's default web browser opens the device's address.



Whether directly accessing the streaming video through typing IP address on a web page or taking steps through IPAdminTool, the ActiveX is needed to be installed for the Microsoft® Internet Explorer to have the complete configuration privileges.

6.3. Reset

Perform the following procedures to reset your device:

1. Press the reset button for 2 seconds while the device is in use.
2. Wait for the system to reboot.



Caution

Please do not hold for more than 2 seconds. Otherwise, the camera may be switched to its Factory Default settings.

6.4. Factory Default

Resetting the device back to the factory default will initialize all parameters including the IP address back to the factory defaults. To reset back to the factory default:

1. Press the reset button and hold.
2. Release the button after 10 seconds.
3. Wait for the system to reboot.

The factory default settings can be inferred as follows:



Note

IP address:	192.168.xx.yy
Network mask:	255.255.0.0
Gateway:	192.168.0.1
User ID:	root
Password:	pass

6.5. Safe Mode

What is Safe Mode?

Your IP camera or encoder could encounter an unexpected occasion such as broken firmware file or uncompleted loading of firmware file during system booting. To restore the device from the occasions, the device provides the emergency firmware as a factory default. Your device will get restarted with safe mode when there is any error on your booting system files.

Why does your IP camera or encoder boot in Safe Mode?

Normally, the cause of 'safe mode' is classified into two types.

- * When the power supply is unplugged in the middle of system booting.
- * When the firmware files required for system booting are damaged.

IMPORTANT: Your device will turn into the safe mode when it fails to boot certain times.

How to recover your system from Safe Mode

Safe Mode

Your device has entered safe mode now. Device is usually forced to safe mode when device recognizes itself not operating normally over times.
In most cases, repeated unstable power connection during the boot is the main cause for safe mode.
If you have seen your device in safe mode for the first time, just follow the instructions below to reboot the device.

1. Click 'Start Reboot' on the current page.
2. Wait until the device completely reboots. (*It may take a few seconds to several minutes.)
3. Refresh the webpage to check if it appears normal.

If the device is not recovered after you have done the above instructions, it may indicate that settings in device may have been corrupted.
Then, try the instructions as follows to reset all settings.

1. Click 'Reset All Settings' on the current page.
2. Wait until the device resets all settings. (*It may take a few seconds to several minutes.)
3. Check if the webpage appears normal.

If the device is still in safe mode after you have done the above procedure, it may indicate that there may be a corruption on the firmware of the device.
In this case, the device cannot be booted normally.
Thus, perform the firmware update according to the instructions below.

1. Click 'Browse', and select the appropriate firmware file.
2. Click 'START' to restore the firmware to the device. (*You will see the relevant messages during the firmware update.)
3. Check if the webpage appears normal.

If you are still on this page even after the above procedure, your device may have encountered the worst situation. Certain part of the hardware on the device may have been broken. Thus, you should contact your local agency for further assistance.

Reboot

Reset All Settings

Upload Firmware Image

Choose a firmware image to upload:

The messages above will appear on the webpage when your device has been rebooted in 'safe mode'. Then, you should follow the instructions on the webpage according to the steps in a row.



There are two types of firmware files when you receive a firmware folder from your vendor. When you need to update the firmware as the final resolution in case your device is in safe mode like above, ensure that the firmware means the firmware file for the device with the file name as GXi-V.1.X.X.X-~~~.enc.

**Note**

There is another method to update firmware, which is using IPAdminTool. Please refer to '**IPAdminTool User's Manual.pdf**' for the detailed procedure.

**Note**

If your device is still at safe mode after trying to update firmware, please contact your local agency to get further assistance.

* Firmware update for safe mode itself: If you want to update the firmware for safe mode, you should upload a firmware file with the following file name: GXi-SAFEMODE.~~~.enc.

APPENDIX (A): SPECIFICATIONS

Summary

Camera Module		
CMOS	Image Sensor	1/2.9" 1080p CMOS
	Effective Pixels	1920x1080
	Scanning system	Progressive scanning
ELECTRICAL	Resolution	1920 x 1080
	Min. Illumination	Color: 1.0 lux, BW: 0 lux (IR LED On)
	AGC Control	Auto
Lens		4.3mm F2.0
Day & Night		Removal IR Cut Filter
Wide Dynamic Range		Digital WDR
Video		
Compression Format		H.264 and MJPEG Selectable per Stream
Number of Streams		Dual Stream, Configurable
Resolution		1920x1080, 1280x720, 1120x630, 960x540, 800x450, 640x360, 480x270, 320x180
Compression FPS		30fps@1080p
Motion Detection		Built-in
Burnt-in Text (Digital)		Video stream overlay text
Output		-
Audio		
Input/output		-
Compression Format		-
Function		
Digital Input/output		1/1 channel
RS-485		Not supported
Network		10/100 Base-T
Power over Ethernet (PoE)		Supported
Protocol		QoS Layer 3 DiffServ, TCP/IP, UDP/IP, HTTP, HTTPS, RTSP, RTCP, RTP/UDP, RTP/TCP, mDNS, UPnP™, SMTP, DHCP, DNS, DynDNS, NTP, SNMPv1/v2c/v3(MIB-II), IGMP, ICMP, SSLv2/v3, TLSv1
SD Slot		1 microSD slot (up to 64GB) * microSD Card is not included (Recommend Class 4 and higher for HD recordings)

Electrical Characteristics

Power Source	12VDC / PoE
Power Consumption	4.44W @ 12VDC
Video Output	-
Audio Input	-
Audio Output	-
D/I	Max 50mA@5VDC, TTL level, VIL=0.8V(max), VIH=2.0V(min)
D/O	Max 50mA@24VDC On-state resistance: 50 Ω (max continuous)

Environment Condition

Operating Temperature	Operating Range [12VDC] -20°C ~ 50°C (-4°F ~ 122°F) [PoE] -20°C ~ 45°C (-4°F ~ 113°F)
Operating Humidity	Up to 85% RH

Mechanical Condition

Material	Aluminum Die-Casting
Color	Ivory
Dimension	73.5(H)mm x 76(W)mm x 245(D)mm
Weight (Approx)	600g

* The specifications above are subject to change without any prior notice.

APPENDIX (B): POWER OVER ETHERNET

The Power over Ethernet (PoE) is designed to extract power from a conventional twisted pair Category 5 Ethernet cable, conforming to the IEEE 802.3af Power-over-Ethernet (PoE) standard. IEEE 802.3af allows for two power options for Category 5 cables.

The IEEE **802.3af-2003** standard allows up to 15.4 W of power the device. However, 12.95W is the available power, as some power gets lost in the cable. The updated IEEE **802.3at-2009 (PoE+)** standard allows up to 25.5 W (Max 34.2 W) of power the device.

PoE has advantages over conventional power in such places where AC powers cannot be reached or expensive to wire.



Note

For proper activation of PoE, the cable must be shorter than 100m and conform the PoE standard.

PoE compatibility

With non-Power over Ethernet (non-PoE)

When it is connected with non-PoE, the power adaptor should be connected.

With power adaptor

Connecting both PoE and power adaptor does not do any harm to the product, but power adaptor will be the only power source for the device as it has priority over PoE. In this case, disconnecting power adaptor while it is operating will cause the device to reboot. And PoE will be the power source for the device after the reboot.

Power Comparison

The PoE Property supported by the device is **802.3af**.

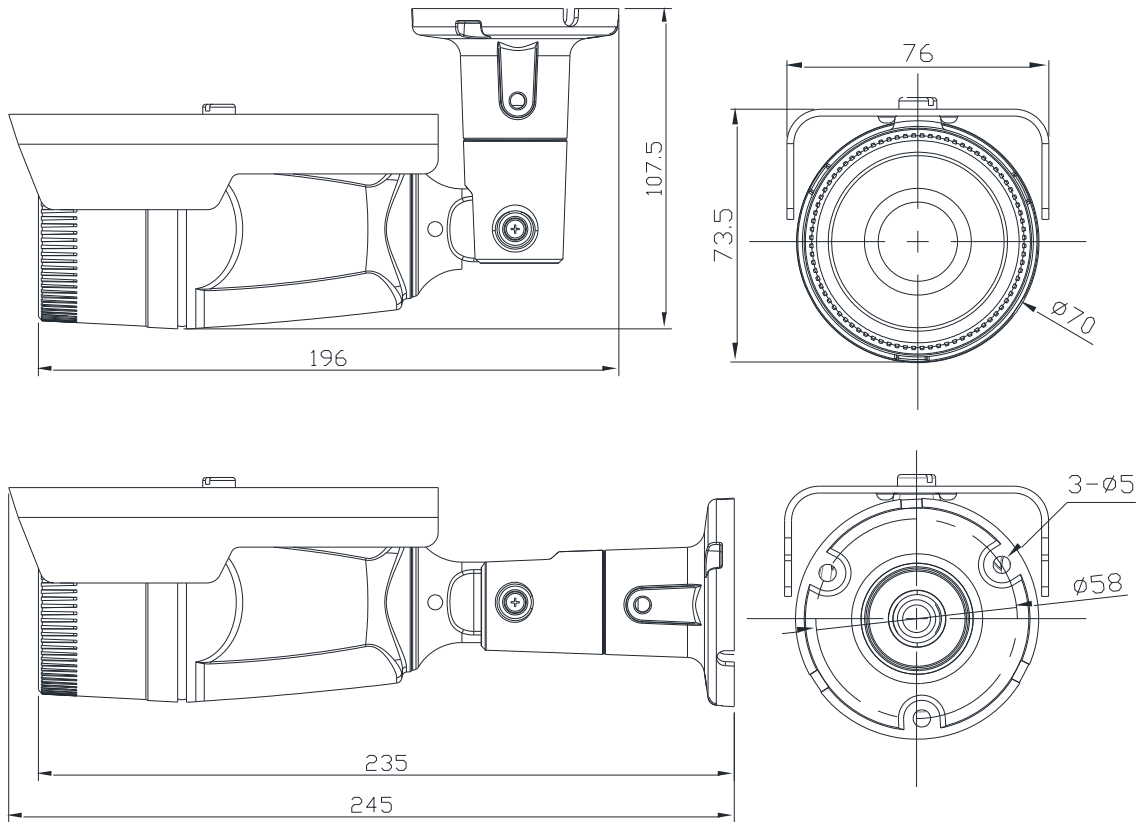
Property	802.3af	802.3at
Available Power	12.95 W	25.50 W
Max. Power by PSE	15.40 W	34.20 W
Max. Current	350 mA	600 mA
Recommended Cable	Category 5 and above	Category 5e and above



Note

Disconnecting PoE does not reboot the device as long as a power adaptor is connected.

APPENDIX (C): DIMENSIONS



(Unit: mm)

APPENDIX (D): HEXADECIMAL-DECIMAL CONVERSION TABLE

Refer to the following table when you convert the MAC address of your device to IP address.

Hex	Dec	Hex	Dec	Hex	Dec	Hex	Dec	Hex	Dec	Hex	Dec	Hex	Dec
0	0	25	37	4A	74	6F	111	94	148	B9	185	DE	222
1	1	26	38	4B	75	70	112	95	149	BA	186	DF	223
2	2	27	39	4C	76	71	113	96	150	BB	187	E0	224
3	3	28	40	4D	77	72	114	97	151	BC	188	E1	225
4	4	29	41	4E	78	73	115	98	152	BD	189	E2	226
5	5	2A	42	4F	79	74	116	99	153	BE	190	E3	227
6	6	2B	43	50	80	75	117	9A	154	BF	191	E4	228
7	7	2C	44	51	81	76	118	9B	155	C0	192	E5	229
8	8	2D	45	52	82	77	119	9C	156	C1	193	E6	230
9	9	2E	46	53	83	78	120	9D	157	C2	194	E7	231
0A	10	2F	47	54	84	79	121	9E	158	C3	195	E8	232
0B	11	30	48	55	85	7A	122	9F	159	C4	196	E9	233
0C	12	31	49	56	86	7B	123	A0	160	C5	197	EA	234
0D	13	32	50	57	87	7C	124	A1	161	C6	198	EB	235
0E	14	33	51	58	88	7D	125	A2	162	C7	199	EC	236
0F	15	34	52	59	89	7E	126	A3	163	C8	200	ED	237
10	16	35	53	5A	90	7F	127	A4	164	C9	201	EE	238
11	17	36	54	5B	91	80	128	A5	165	CA	202	EF	239
12	18	37	55	5C	92	81	129	A6	166	CB	203	F0	240
13	19	38	56	5D	93	82	130	A7	167	CC	204	F1	241
14	20	39	57	5E	94	83	131	A8	168	CD	205	F2	242
15	21	3A	58	5F	95	84	132	A9	169	CE	206	F3	243
16	22	3B	59	60	96	85	133	AA	170	CF	207	F4	244
17	23	3C	60	61	97	86	134	AB	171	D0	208	F5	245
18	24	3D	61	62	98	87	135	AC	172	D1	209	F6	246
19	25	3E	62	63	99	88	136	AD	173	D2	210	F7	247
1A	26	3F	63	64	100	89	137	AE	174	D3	211	F8	248
1B	27	40	64	65	101	8A	138	AF	175	D4	212	F9	249
1C	28	41	65	66	102	8B	139	B0	176	D5	213	FA	250
1D	29	42	66	67	103	8C	140	B1	177	D6	214	FB	251
1E	30	43	67	68	104	8D	141	B2	178	D7	215	FC	252
1F	31	44	68	69	105	8E	142	B3	179	D8	216	FD	253
20	32	45	69	6A	106	8F	143	B4	180	D9	217	FE	254
21	33	46	70	6B	107	90	144	B5	181	DA	218	FF	255
22	34	47	71	6C	108	91	145	B6	182	DB	219		
23	35	48	72	6D	109	92	146	B7	183	DC	220		
24	36	49	73	6E	110	93	147	B8	184	DD	221		

REVISION HISTORY

MAN#	DATE(M/D/Y)	Comments
01A.01	07/05/2013	First release version
09-2013-A	09/04/2013	Minor updates
09-2013-B	09/27/2013	Added a caution for leak prevention on 4. Installation
03-2014-A	03/31/2014	Correct explanation for PoE