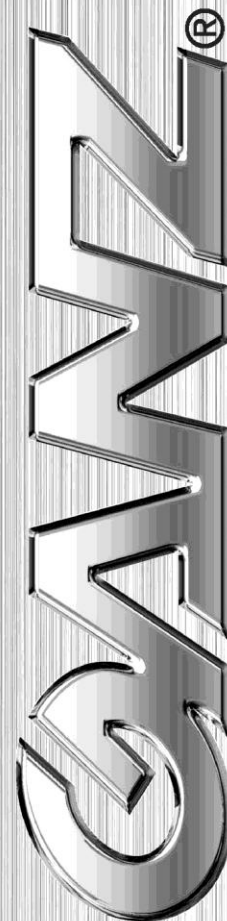


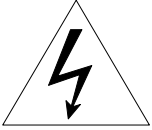
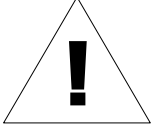
H.264 FULL HD OUTDOOR IR NETWORK CAMERA

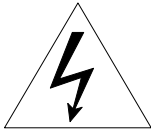
ZN-BT662XE-MIR

Installation Manual



INFORMATION TO USER

	<table border="1"><tr><td>CAUTION</td></tr><tr><td>RISK OF ELECTRIC SHOCK, DO NOT OPEN</td></tr></table>	CAUTION	RISK OF ELECTRIC SHOCK, DO NOT OPEN	
CAUTION				
RISK OF ELECTRIC SHOCK, DO NOT OPEN				
<p>CAUTION: TO REDUCE THE RISK OF ELECTRIC SHOCK, DO NOT REMOVE COVER (OR BACK). NO USER SERVICEABLE PARTS INSIDE. REFER SERVICING TO QUALIFIED SEERVICVE PERSONEL.</p>				



This symbol is intended to alert the user to the presence of un-insulated “dangerous voltage” within the product’s enclosure that may be of sufficient magnitude to constitute a risk of electric shock to persons.



This symbol is intended to alert the user to the presence of important operating and maintenance (servicing) instructions in the literature accompanying the appliance.

Table of Contents

1. FEATURES	4
2. PACKAGE CONTENTS	5
3. PART NAMES	6
4. INSTALLATION	8
4.1. Installation Template	9
4.2. Adjusting LED options and lens focus	10
4.3. Setting the Image Attribute.....	10
5. CABLE CONNECTIONS	11
6. CONFIGURATION	14
6.1. Set up network environment	14
6.2. View video on web page	14
6.2.1. View video using IPAdmin Tool	14
6.2.2. View video using IP address	16
6.3. Reset.....	16
6.4. Factory Default.....	16
APPENDIX (A): SPECIFICATIONS	17
Summary	17
Electrical Characteristics	18
Environment Condition	18
Environment Condition	18
APPENDIX (B): DIMENSIONS.....	19
APPENDIX (C): HEXADECIMAL-DECIMAL CONVERSION TABLE.....	20
REVISION HISTORY	20

1. FEATURES

Camera

- Indoor/Outdoor IR Bullet IP Camera
- 1/2.7" 1080p CMOS
- ICR type true day & night
- ONVIF Support (End of Aug)

Streaming

- Dual streaming mode (such as different codec/resolution/bit rate and so on.)
- Burnt-in text supported
- Unicast/Multicast supported

Video/Audio

- Video compression: H.264/MJPEG, 25/30FPS@1080p(PAL/NTSC)
- Analog video out for external monitors
- Video Motion Detection supported

Network

- RTSP/ HTTP protocol supported
- 10/100 Base-T Ethernet

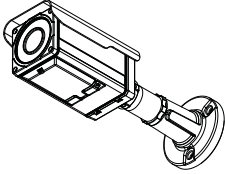
Additional Features

- OSD for camera control supported
- SDK (Software Development Kit) provided
- ZNS presence (Included as basic)

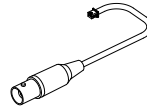
2. PACKAGE CONTENTS

Unpack carefully and handle the equipment with care. The packaging contains:

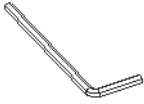
Camera



Video out cable



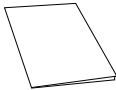
Hex wrench driver



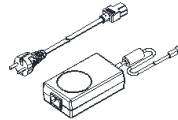
Screws



Quick installation Guide



DC power adaptor



Screw anchors



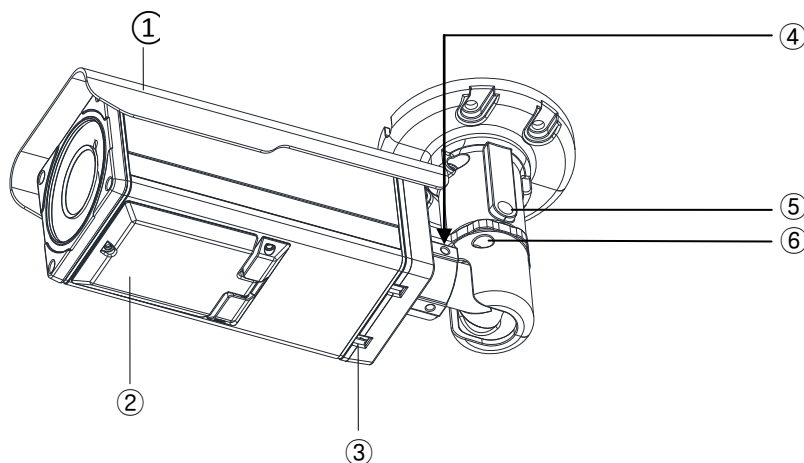
Terminal block



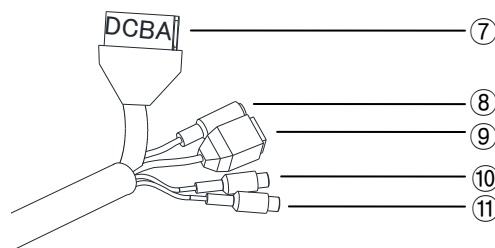
Note

The above contents are subject to change without prior notice.

3. PART NAMES



* Models herein and their appearance are subject to change without any prior notice.



① Sunshield

Position the sunshield to prevent direct sunshine.

② Control panel

Open the control panel to control LEDs, OSD menus, and the extra video output. You can also find the reset button on the control panel. To learn how to reset your device, refer to **6.3. Reset**.

③ Ventilation hole

The ventilation holes help to reduce the temperature difference between inside and outside and prevent water from being condensate.

④ Joint for 3 axis

Use this part to adjust the camera to the desired position. Refer to **4. Installation** for more details.

⑤ Panning joint

Use this part for panning adjustment. Refer to **4. Installation** for more details.

⑥ Tilting adjustment

Use this part for tilting adjustment. Refer to **4. Installation** for more details.

⑦ 4 Pin Connector

A: DO,- B: DO+, C: DI+, D: DI-

⑧ Power Adaptor Connector

The camera needs DC 12V for power supply.

⑨ Network Port

Use this RJ45 LAN connector for connecting the camera to network.

⑩ Audio In

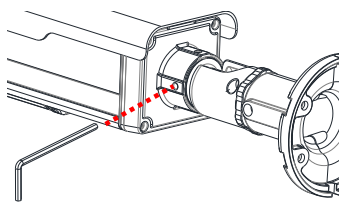
Connect to the audio input device such as a mike.

⑪ Audio Out

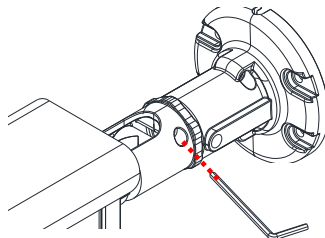
Connect to the audio output device such as the amplifier speaker.

4. INSTALLATION

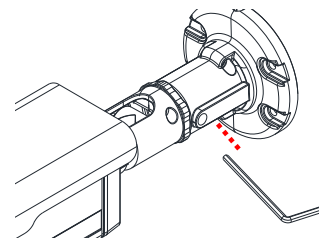
- 1) Place the installation template that is provided in the package on the desired position of installation.
- 2) Drill four holes on the template and insert anchor blocks into the holes. Fasten the camera with screws.
- 3) Make sure the cables are properly connected to the camera.
- 4) Adjust the camera to the desired angle by unscrew the joints by referring to the following pictures.



Adjust this joint to install it on the wall



Tiling adjustment

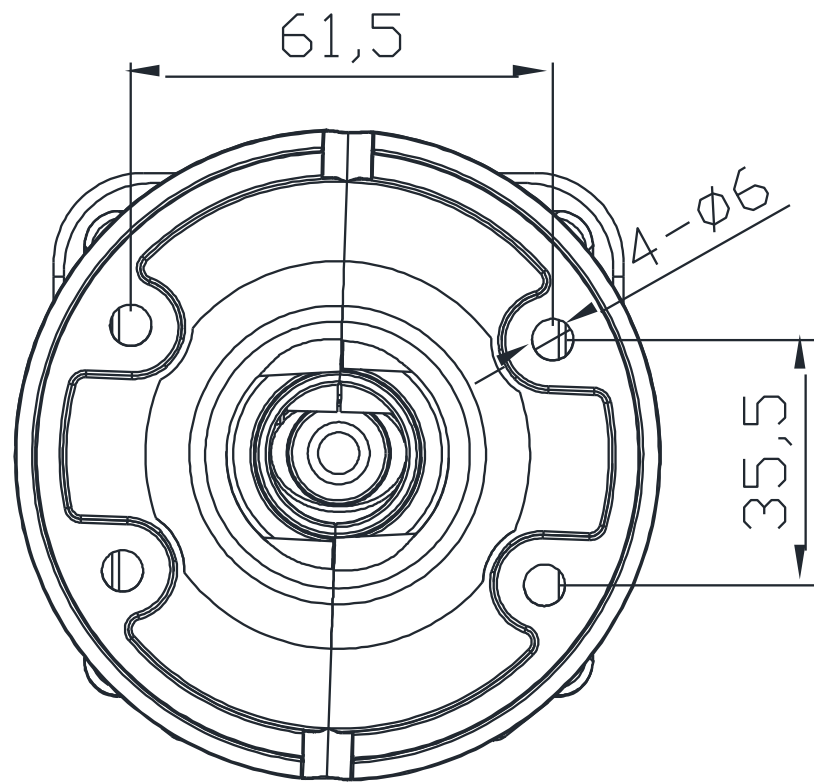


Panning adjustment



The camera may fall off the ceiling even after the proper installation and mounting. To prevent any accident, make sure the ceiling is firm and stable enough to support the camera. If any reinforcement is needed, consult with your safety personnel and proceed with the installation.

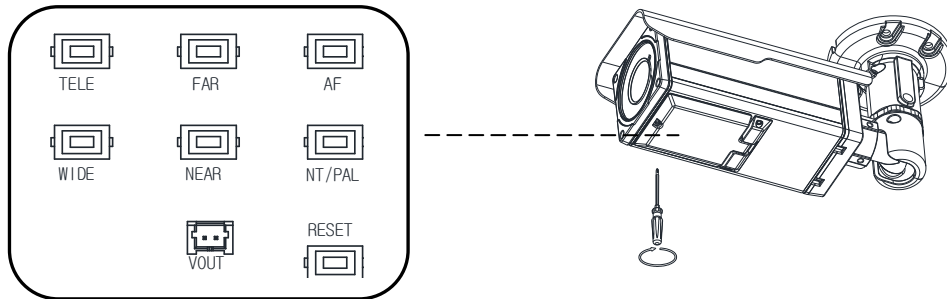
4.1. Installation Template



(Unit: mm)

4.2. Adjusting LED options and lens focus

Adjust the zoom and focus of the lens with the lever of ① and ② on the following picture.



TELE/WIDE: Uses for zoom

FAR/NEAR: Uses for focus

AF: Auto focus

NT/PAL: NTSC, PAL button

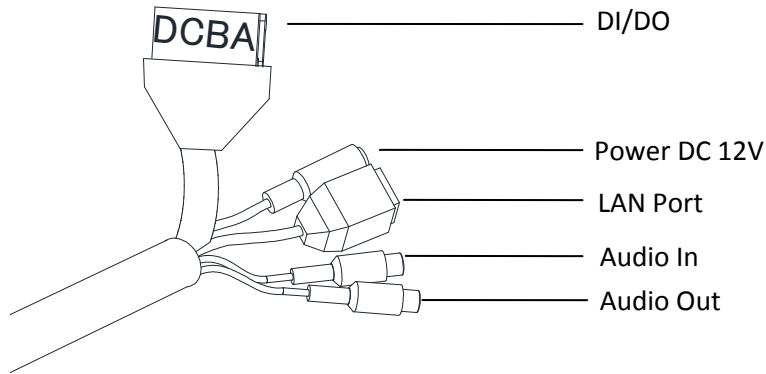
Vout: Uses only for installation

4.3. Setting the Image Attribute

You can set the image attribute of camera through the webpage.

The menu of image attribute can be seen under **Setup > Video & Audio > Camera**. Brightness, contrast, saturation and sharpness can be adjusted.

5. CABLE CONNECTIONS



DI/DO Connection

A: DO-, B: DO+ , C: DI+ , D: DI-

Sensor (DI) connection

The camera provides 1 channel D/I. It can be connected to either a voltage type sensor or a relay type sensor as the following figures. It can be selected by software.

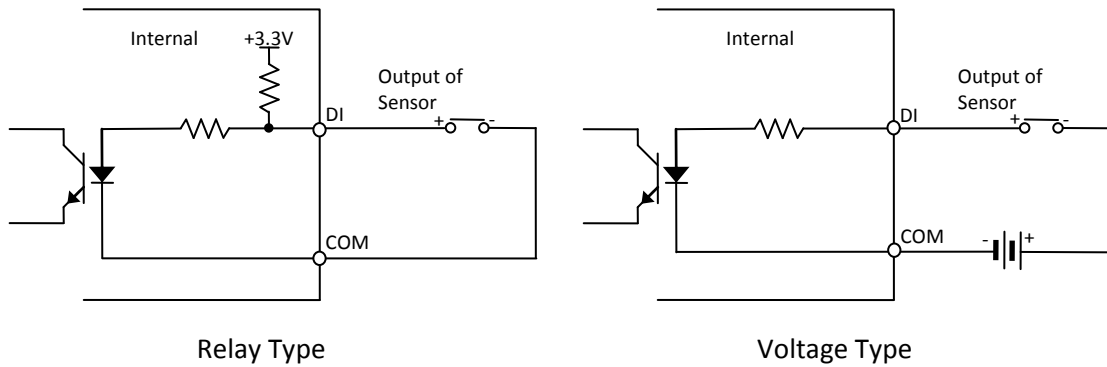
Input voltage range: 0VDC minimum to 5VDC maximum, Max 50mA

Input voltage threshold: 1.5V



Caution

Do not exceed the maximum input voltage or relay rate.

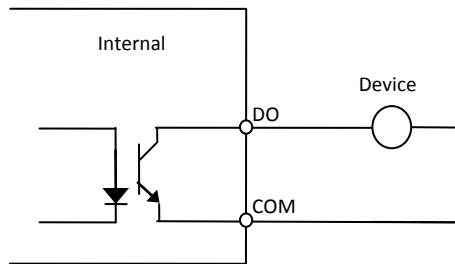


Alarm (DO) connection

Only the relay type is supported.
 Relay Rating: Max 24VDC 50mA



Do not exceed the maximum relay rating.



Relay Type

Power Connection

A 12 DC power connector is required for this device.

Network Connection

This is a RJ45 LAN connector for 10/100 Base-T Ethernet. Connect a LAN cable.

Audio Input/Output Connection

Connect the audio input device such as a mike to the audio input port and the audio output device such as the amplifier speaker to the audio output port.

Audio Input : Linein, 1.43Vp-p(M in 1.35Vp-p, max 1.49 Vp-p), 39 KΩ
 Audio Output : Lineout, 46mW Power, 16 Ω



Caution

Do not connect the speaker without amplifier.

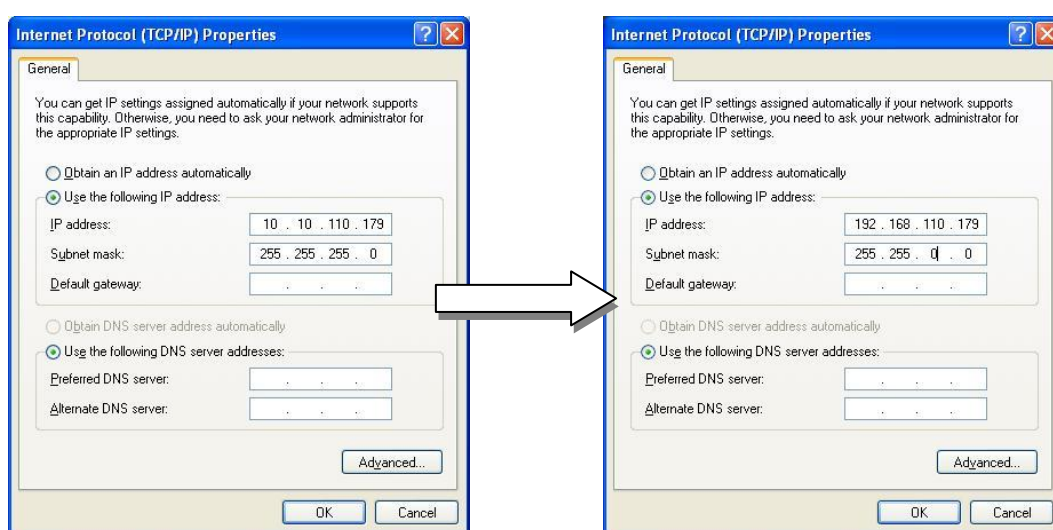
6. CONFIGURATION

6.1. Set up network environment

The default IP address of your IP device is 192.168.XXX.XXX. You can find the available IP address from the MAC address of your device. Please make sure the device and your PC are on the same network segment before running the installation. If the network segment between your PC and the device is different, change your PC's settings as below.

IP address : **192.168.xxx.xxx**

Subnet mask: **255.255.0.0**



6.2. View video on web page

View the live video on a web page using your IP device and its IP address. You can use the IPAdminTool or enter the IP address on the web page.

6.2.1. View video using IPAdmin Tool

IPAdminTool automatically searches all activated network encoders and IP cameras and shows the product name, IP address, MAC address and etc. IPAdminTool is provided with SDK at the following SDK path.

```
{SDK root}\BIN\TOOLS\AdminTool\
```

To use the IPAdminTool and view the live video on a web page:

1. Start IPAdminTool. Names and info of currently activated devices appear as a list.
2. Right-click on the desired device and select **Web view**.
3. Click **pop-up blocked** and install the ActiveX setup.exe by clicking the **Run** or **Save** button. You need to install the ActiveX for displaying the images.



4. Follow the instructions of the dialog boxes and complete the installation. Then the live video is displayed on the main page of the web browser.
5. If the live video is not displayed with the message said, *"This software requires the Microsoft XML Parser V6 or higher. Please download MSXML6 from the Microsoft website to continue. Error code: Can not create XMLDOMDocument."*, please download and install the relevant MSXML.



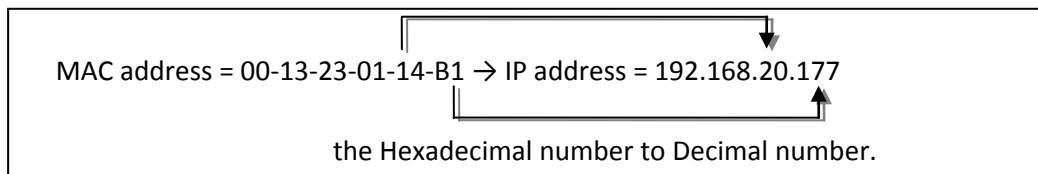
If the ActiveX **setup.exe** file fails to be installed successfully, close all of the Internet Explorer windows and go to **Program Files > AxInstall** folder on your computer. Then, run **Uninstall.exe** and try to perform the steps 1 to 4 above again.

6.2.2. View video using IP address

View the live video on a web page using your IP device and its IP address. To have the correct IP address ready and use it on a web page:

1. Convert a MAC address to an IP address or check the IP address on the IPAdminTool. Refer to *Appendix (D): Hexadecimal-Decimal Conversion Table*.

(The MAC address is attached on the side or bottom of the device.)



2. Open a web browser and enter the IP address of the device.
3. Click **pop-up blocked** and install the ActiveX setup.exe by clicking the **Run** or **Save** button. You need to install the ActiveX for displaying the images.
4. Follow the instructions of the dialog boxes and complete the installation. Then the live video is displayed on the main page of the web browser.

6.3. Reset

1. While the device is in use, press the Reset button.
2. Wait for the system to reboot.

6.4. Factory Default

1. Press reset button and hold.
2. Release the Reset button after 5 seconds until LED blinks.
3. Wait for the system to reboot.

The factory default settings can be inferred as follows:

IP address:	192.168.xx.yy
Network mask:	255.255.0.0
Gateway:	192.168.0.1
User ID:	root
Password:	pass

APPENDIX (A): SPECIFICATIONS

Summary

Camera Module	
Image Sensor	OV2715 CMOS
Effective Pixels	768 x 494 (NTSC) / 752 x 582 (PAL)
TV System	NTSC / PAL
Horizontal Resolution	TBD
Zoom	X16 Digital Zoom
White Balance	ATW / AWC / Manual / Outdoor / Indoor
Scanning System	2:1 Interlace
Sync System	Internal
Min. Illumination	TBD
Lens	3.0 – 9.0mm Vari-Focal F1.2 Motorized Focus & Zoom
Focus	Motorized
Iris	Auto
Day & Night	COLOR / B/W / AUTO
Shutter Speed	1/60s ~ 1/120,000s
S / N Ratio	52 dB (AGC off)
AGC	Low / High / Off (Selectable)
BLC	BLC / HLC / Off
DNR	On/Off (1~32 Level Adjustable)
Video	
Compression	H.264, MPEG-4, MJPEG Selectable per Stream
Number of Streams	Dual stream, Configurable
Resolution	1920x1080, 1280x720, 800x450, 480x270, 320x180
Compression FPS	25/30 fps @ D1 (PAL/NTSC)
De-interlacing	Supported (DSP)
Motion Detection	Supported
Burnt-in Text(digital)	Supported (DSP)
Analog Video Output	PAL/NTSC (Auto off)
Audio	
Input / Output	1/1
Compression	PCM, G.711
Function	
IR Range	Internal Use: 30M External Use: 20M
Network	10/100 Base-T

Power over Ethernet	802.3af (Normal)
DI / DO	1 / 1 ch
RS-232C/RS-485	Not available
Protocol	TCP/IP, UDP/IP, HTTP, RTSP, RTCP, RTP/UDP, RTP/TCP, SNTP, mDNS, UPnP, SMTP, SOCK, IGMP, DHCP, FTP, DDNS, SSL v2/v3, IEEE 802.1X, SSH, SNMP v2/v3
Local Storage	Not available

Electrical Characteristics

Power source	DC 12V
Power consumption	1200mA (Heater ON)
Analog Video Output	1 Vp-p, 75Ω, Composite
Audio Input	Linein, 1.43Vp-p (Min 1.35Vp-p, max 1.49 Vp-p), 39 KΩ
Audio Output	Lineout, 46mW Power, 16 Ω
Sensor(D/I)	Max 50mA@5VDC, TTL level 4.5V threshold
Alarm(D/O)	Max 500mA@24VAC or 1A@12VDC On-state resistance: 50 Ω (max continuous)

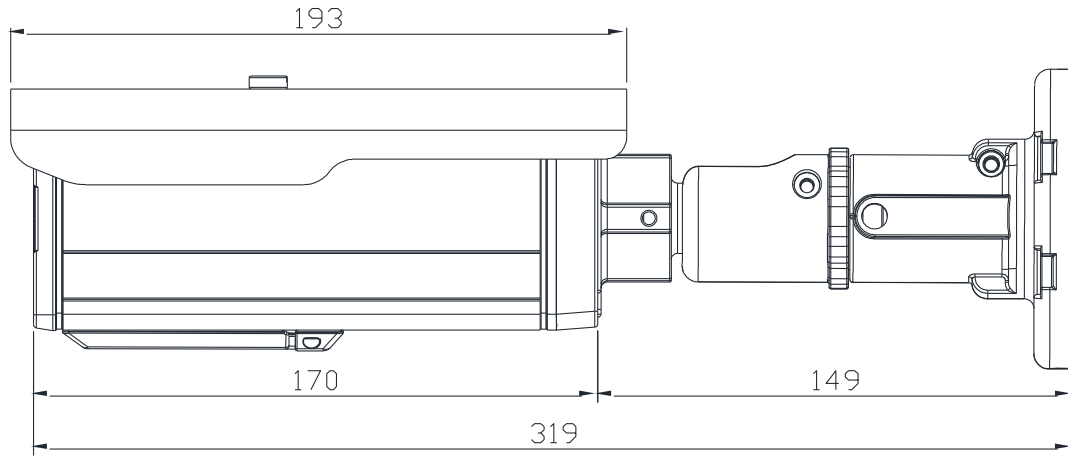
Environment Condition

Operating Temperature	Operating Range DC12V : -40°C ~ 50°C (-40°F ~ 122°F) PoE : 0 °C ~ 50 °C (32°F ~ 122°F) Cold Start DC12V : -20°C (-4°F) PoE: 0 °C (32°F)
Operating Humidity	Up to 85% RH

Environment Condition

Dimensions	83mm x 82mm x 194mm (Without bracket)
Color	Ivory
Weight	Net: 1.5Kg

APPENDIX (B): DIMENSIONS



(Unit: mm)

APPENDIX (C): HEXADECIMAL-DECIMAL CONVERSION TABLE

Refer to the following table when you convert the MAC address of your device to IP address.

Hex	Dec	Hex	Dec	Hex	Dec	Hex	Dec	Hex	Dec	Hex	Dec	Hex	Dec
00	0	25	37	4A	74	6F	111	94	148	B9	185	DE	222
01	1	26	38	4B	75	70	112	95	149	BA	186	DF	223
02	2	27	39	4C	76	71	113	96	150	BB	187	E0	224
03	3	28	40	4D	77	72	114	97	151	BC	188	E1	225
04	4	29	41	4E	78	73	115	98	152	BD	189	E2	226
05	5	2A	42	4F	79	74	116	99	153	BE	190	E3	227
06	6	2B	43	50	80	75	117	9A	154	BF	191	E4	228
07	7	2C	44	51	81	76	118	9B	155	C0	192	E5	229
08	8	2D	45	52	82	77	119	9C	156	C1	193	E6	230
09	9	2E	46	53	83	78	120	9D	157	C2	194	E7	231
0A	10	2F	47	54	84	79	121	9E	158	C3	195	E8	232
0B	11	30	48	55	85	7A	122	9F	159	C4	196	E9	233
0C	12	31	49	56	86	7B	123	A0	160	C5	197	EA	234
0D	13	32	50	57	87	7C	124	A1	161	C6	198	EB	235
0E	14	33	51	58	88	7D	125	A2	162	C7	199	EC	236
0F	15	34	52	59	89	7E	126	A3	163	C8	200	ED	237
10	16	35	53	5A	90	7F	127	A4	164	C9	201	EE	238
11	17	36	54	5B	91	80	128	A5	165	CA	202	EF	239
12	18	37	55	5C	92	81	129	A6	166	CB	203	F0	240
13	19	38	56	5D	93	82	130	A7	167	CC	204	F1	241
14	20	39	57	5E	94	83	131	A8	168	CD	205	F2	242
15	21	3A	58	5F	95	84	132	A9	169	CE	206	F3	243
16	22	3B	59	60	96	85	133	AA	170	CF	207	F4	244
17	23	3C	60	61	97	86	134	AB	171	D0	208	F5	245
18	24	3D	61	62	98	87	135	AC	172	D1	209	F6	246
19	25	3E	62	63	99	88	136	AD	173	D2	210	F7	247
1A	26	3F	63	64	100	89	137	AE	174	D3	211	F8	248
1B	27	40	64	65	101	8A	138	AF	175	D4	212	F9	249
1C	28	41	65	66	102	8B	139	B0	176	D5	213	FA	250
1D	29	42	66	67	103	8C	140	B1	177	D6	214	FB	251
1E	30	43	67	68	104	8D	141	B2	178	D7	215	FC	252
1F	31	44	68	69	105	8E	142	B3	179	D8	216	FD	253
20	32	45	69	6A	106	8F	143	B4	180	D9	217	FE	254
21	33	46	70	6B	107	90	144	B5	181	DA	218	FF	255
22	34	47	71	6C	108	91	145	B6	182	DB	219		
23	35	48	72	6D	109	92	146	B7	183	DC	220		
24	36	49	73	6E	110	93	147	B8	184	DD	221		

REVISION HISTORY

MAN#	DATE(M/D/Y)	Comments
D1A.01	04/20/2012	Preliminary version
01A.01	05/02/2012	Power consumption revise