

H.264 Mini DOME NETWORK CAMERA


PixelPro *SERIES*

ZN-MD2xxM

| **USER'S MANUAL**

Before connecting, operating or adjusting this product,
read this instruction booklet carefully and completely



SAFETY INSTRUCTIONS

- 1) Read these instructions.
- 2) Keep these instructions.
- 3) Heed all warnings.
- 4) Follow all instructions.
- 5) Do not use this apparatus near water.
- 6) Clean only with a dry cloth.
- 7) Do not block any of the ventilation openings. Install in accordance with the manufacturer's instructions.
- 8) Do not install near any heat sources such as radiators, heat registers, stoves, or other apparatus that produce heat.
- 9) Only use the attachments/accessories specified by the manufacturer.
- 10) Use only with a cart, stand, tripod or bracket specified by the manufacturer, or sold with the apparatus. When a cart is used, use caution when moving the cart/apparatus combination to avoid injury from tip-over.



- 12) Unplug this apparatus during lightning storms or when unused for long periods of time.
- 13) Refer all servicing to qualified service personnel. Servicing is required when the apparatus has been damaged in any way, such as power supply cord or plug is damaged, liquid has been spilled or objects have fallen into the apparatus, the apparatus has been exposed to rain or moisture, does not operate normally, or has been dropped.

CALIFORNIA USA ONLY

This Perchlorate warning applies only to primary CR (Manganese Dioxide) Lithium coin cells in the product sold or distributed ONLY in California USA. "Perchlorate Material - special handling may apply, See www.dtsc.ca.gov/hazardouswaste/perchlorate."

Caution

Danger of explosion if battery is incorrectly replaced.
Replace only with the same or equivalent type.

These servicing instructions are for use by qualified service personnel only. To reduce the risk of electric shock do not perform any servicing other than that contained in the operating instructions unless you are qualified to do so.

In USA and Canada, Use Class 2 Power Supply Only

Contents

1. PRODUCT FEATURES	4
2. INSTALLATION	6
2.1 INSTALLATION PREPARATION	6
3. ACCESSING THE CAMERA	8
3.1 ACCESS FROM A BROWSER	8
3.2 ACCESSING THE CAMERA FROM THE INTERNET	9
3.3 ADJUSTING THE CAMERA ANGLE	9
3.4 THE LIVE VIEW PAGE	9
3.5 VIDEO STREAM TYPES	10
2.6 HOW TO STREAM H.264	10
4. THE SETUP	11
5. ANALOG OUTPUT	12
5.1 ANALOG OUTPUT SETUP	12
6. VIDEO	12
6.1 CODEC	12
6.2 CAMERA	15
6.2.1 Exposure Control	15
6.2.2 Day & Night Control	16
6.2.3 White Balance Control	16
6.2.4 Image Property Control	16
7. LIVE	17
7.1 SETUP	17
7.2 PRIVACY MASKING	18
8. FTP	19
8.1 FTP > CONFIG	19
8.2 FTP > EVENT	19
8.3 FTP > PERIODICAL	20
9. EVENT	21
9.1 EVENT > MOTION	21
9.2 EVENT > MAPPING	22
10. NETWORK	23
10.1 NETWORK > IP SETUP	23
10.2 NETWORK > SERVICE PORT	25
10.3 NETWORK > RTP	25
10.4 NETWORK > E-MAIL	26
10.5 NETWORK > DDNS	26
10.6 NETWORK > UPNP	27
11. SYSTEM	28
11.1 SYSTEM > USER	28
11.2 SYSTEM > DATE & TIME	29
11.3 SYSTEM > MAINTENANCE	30
11.4 SYSTEM > INFORMATION	32

12. DIMENSIONS33
13. SPECIFICATIONS34

1. Product Features

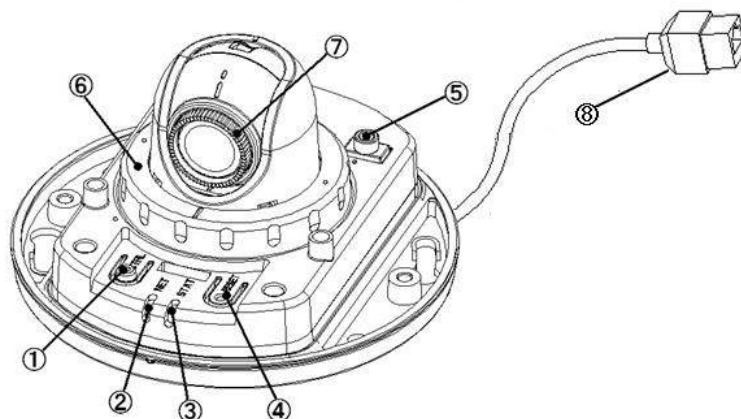
The GANZ PixelPro Series (ZN-MD2xxM) is a high performance H.264 network camera, designed for demanding security installations. It delivers crisp, clear images, disclosing every detail, thanks to its top quality Megapixel progressive CMOS sensor and advanced image processing.

Supported by the industry's largest base of video management software, the GANZ PixelPro provides the perfect solution for securing bank offices, airports and other facilities, and for traffic surveillance, over IP based networks.

The optimal Power over Ethernet (IEEE 802.3af) support power to the camera to be delivered via the network, eliminating the need for a power outlet and reducing installation costs. Steady power could be guaranteed with a central Uninterruptible Power Supply (UPS).



The GANZ PixelPro offers a comprehensive set of network security and management features. This includes support for port based network control (IEEE802.1X), which allows the camera to be connected to a network secured with this control, and HTTPS encryption, which provides a secure channel between camera and application. It also enables authentication of the video source. Video products are efficiently managed with the powerful GANZ PixelPro Camera Management tool, which is provided on the Installation CD which comes with each GANZ PixelPro camera.



1. Control Button

Control button has two functions.

- 1) Control Video output format either NTSC or PAL.
- 2) Factory Default (Keep hold more than 10 seconds)

2. Network LED

3. Status LED

<i>LED</i>	<i>Color</i>	<i>Indication</i>	<i>System Status</i>
Network	Blue	On	Power On.
		Flash	Network is active
Status	RED	Flash	Firmware Upload in progress. HW Factory Default in progress
	Green	Flash	Booting up
		On	Normal

4. Reset Button

Press this button to reset the camera.

5. Video output for service monitor

This analog video output is available when installation mode is set to ON. Use accessory cable to video output.

6. Lock nut

When you set lens position, release it and adjust the position.

7. Focus adjustment

Use “fucus adjust ring“ for lens adjustment

8. Network (RJ-45 PoE required)

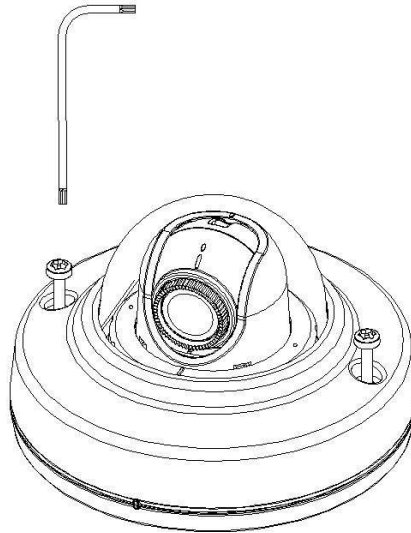
The ZN-MD2xxM series connects to the network via a standard network cable, and automatically detects the speed of the local network segment (10BaseT/100BaseTX Ethernet). This socket must be used to power the ZN-MD2XX SERIES via Power over Ethernet (PoE). The camera auto-senses the correct power level when using a PoE switch, router or injector.

2. Installation

2.1 Installation Preparation

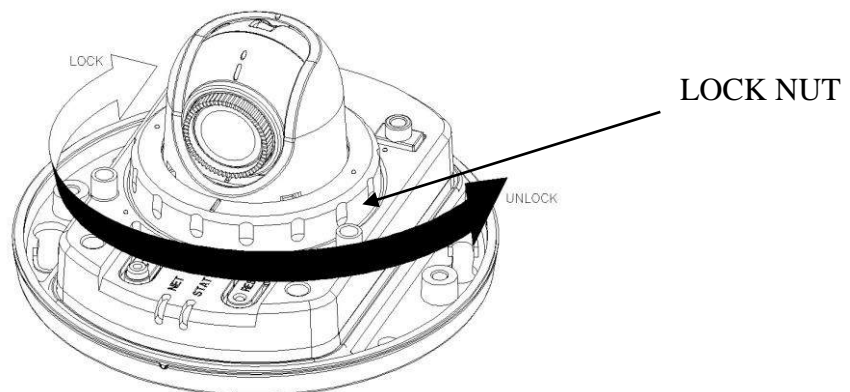
1) Remove Dome Cover

- Loosen two Hexlobe (T20) screws by supplied L-key wrench and remove Dome cover.



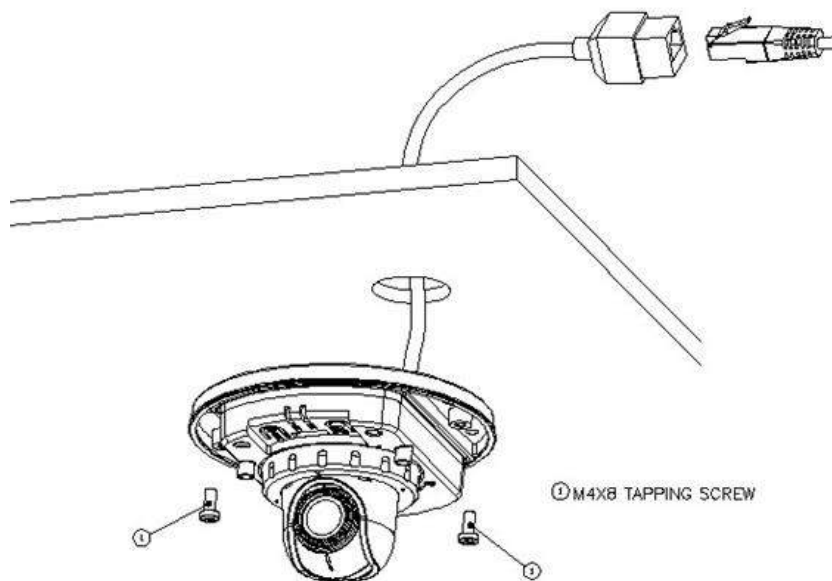
2) LOCK NUT

- In order to change the lens direction, locknut should be unlocked as counter clockwise.

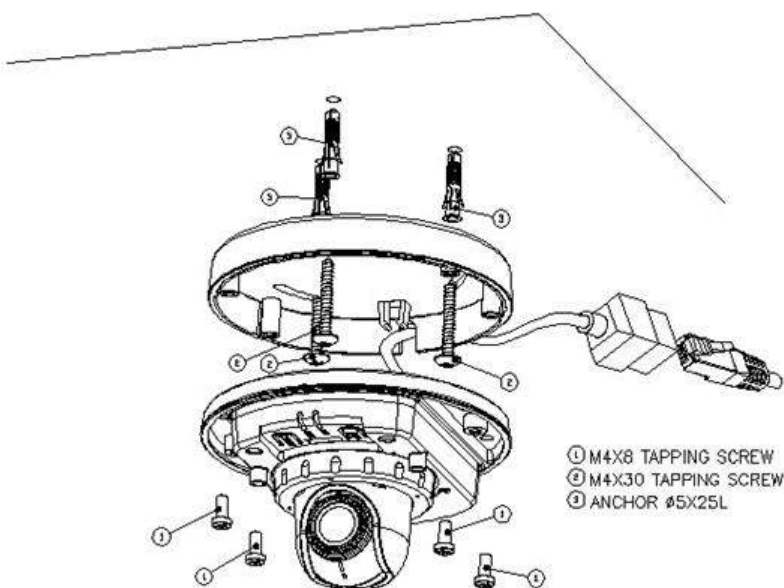


3) Mounting to a ceiling / wall

3-1) IN CEILING MOUNT



3-2) SURFACE MOUNT



4) Lens Adjustment

- Adjust the lens position and set FOCUS with Focus adjustment ring.
- After controlling the direction, lock the locknut again.

5) Attach Dome Cover

- Attach Dome cover and tighten two Hexlobe (T20) screws by supplied L-key wrench.

3. Accessing the Camera

Follow the instructions in the GANZ PixelPro Installation Guide to install the camera.

The GANZ PixelPro could be accessed with most standard operating systems and browsers. The recommended browser is Internet Explorer for Windows with other operating systems.

3.1 Access from a browser

1. Start a browser (Internet Explorer)
2. Enter the IP address or host name of the camera in the Location/Address field of your browser. Press Enter.



3. Login dialog will appear when the camera is accessed for the first time.
4. The default user name is **ADMIN**, and password is **1234**.
5. The camera's Live View page is now displayed in your browser.

Note: The layout of the live view page in the camera may have been customized to meet specific requirements. Consequently, some of the examples and functions featured here may differ from those displayed on your own Live View page.

3.2 Accessing the camera from the Internet

Once installed, the camera is accessible on the local network (LAN). Configure the router/firewall to allow incoming data traffic to access the camera from the Internet. For security reasons this is usually done on a specific port. Please refer to the documentation for router/firewall for further instructions.

3.3 Adjusting the Camera angle

To adjust the camera angle.

1. Open the **Live View** page in your web browser.
 - Select the **Setup** tab, and open the **Analog output** page.
 - Select the 'Video Format'.
2. Connect analog monitor to the VIDEO OUT (BNC) with coaxial cable.
 - Adjust camera angle.

Or otherwise check the image from the **Live View** page on your web browser.

- Adjust camera angle.

3.4 The Live View page



Digital Zoom



Snap Shot



Full Screen



Video Stream change: First stream ↔ Second stream



Play: Click this button by manually to start the stream



Stop: Click this button by manually to stop streaming

NOTE: It is possible that not all the buttons described below will be visible unless the Live View page has been customized to display them.

3.5 Video stream types

H.264 protocols and communication methods

- **RTP (Real-time Transport Protocol)** is a protocol that allows programs to manage the real-time transmission of multimedia data, via unicast or multicast.
- **RTSP (Real Time Streaming Protocol)** serves as a control protocol, to negotiate the type of transport protocol to use for the stream. RTSP is used by a viewing client to start a unicast session.
- **UDP (User Datagram Protocol)** is a communications protocol that offers limited service for exchanging data in a network which uses the Internet Protocol (IP). UDP is an alternative to the Transmission Control Protocol (TCP). The advantage of UDP is that, it is not required to deliver all data and may drop network packets when there is network congestion. This is suitable for live video, as there is no point in re-transmitting old information that will not be displayed anyway.
- **Unicasting** is communication between a single sender and a single receiver over a network. This means that the video stream goes independently to each user, and each user gets own stream. A benefit of unicasting is, in case one stream fails, it only affects one user.
- **Multicasting (Will be supported)** is bandwidth-conserving technology that reduces bandwidth usage by simultaneously delivering a single stream of information to multiple network recipients. This technology is used primarily on delimited networks (intranets), as each user needs an uninterrupted data flow and should not rely on network routers.

2.6 How to stream H.264

Deciding on the combination of protocols and methods to use depends on your viewing requirements, and on the properties of your network. Setting the preferred method(s) is done in webpage.

RTP+RTSP

This method (actually RTP over UDP and RTSP over TCP) should be your first consideration for live video, especially when it is important to always have an up-to-date video stream, even if some images are lost due to network problems. This could be configured as multicast or unicast.

RTP/RTSP/Multicasting (Will be supported) provides the most efficient usage of bandwidth, especially when there are large numbers of clients viewing simultaneously. Note however, that a multicast broadcast could not pass a network router unless the router is configured to allow this. For example, It is impossible to multicast over the Internet.

RTP/RTSP/Unicasting should be used for video-on-demand broadcasting, so that there is no video traffic on the network until a client connects and requests the stream. However, as more and more unicast clients get connected, the traffic on the network will increase and may cause congestion. Although there is a maximum of 10 unicast viewers, note that all multicast users combined count as 1 unicast viewer.

RTP/RTSP

This unicast method is RTP tunneled over RTSP. This could be used to exploit the fact that it is relatively simple to configure firewalls to allow RTSP traffic.

4. The Setup

The GANZ PixelPro is configured from the Setup link, which is available on the top left hand side in the web interface. This configuration could be done by:

- **Administrators**, who have unrestricted access to all settings under the Setup tab.

Accessing the Setup link from a browser

1. Start your web browser and enter the IP address or host name of the camera into the address bar.
2. The Live View page is now displayed. Click on the Setup tap.



5. Analog output



5.1 Analog Output Setup

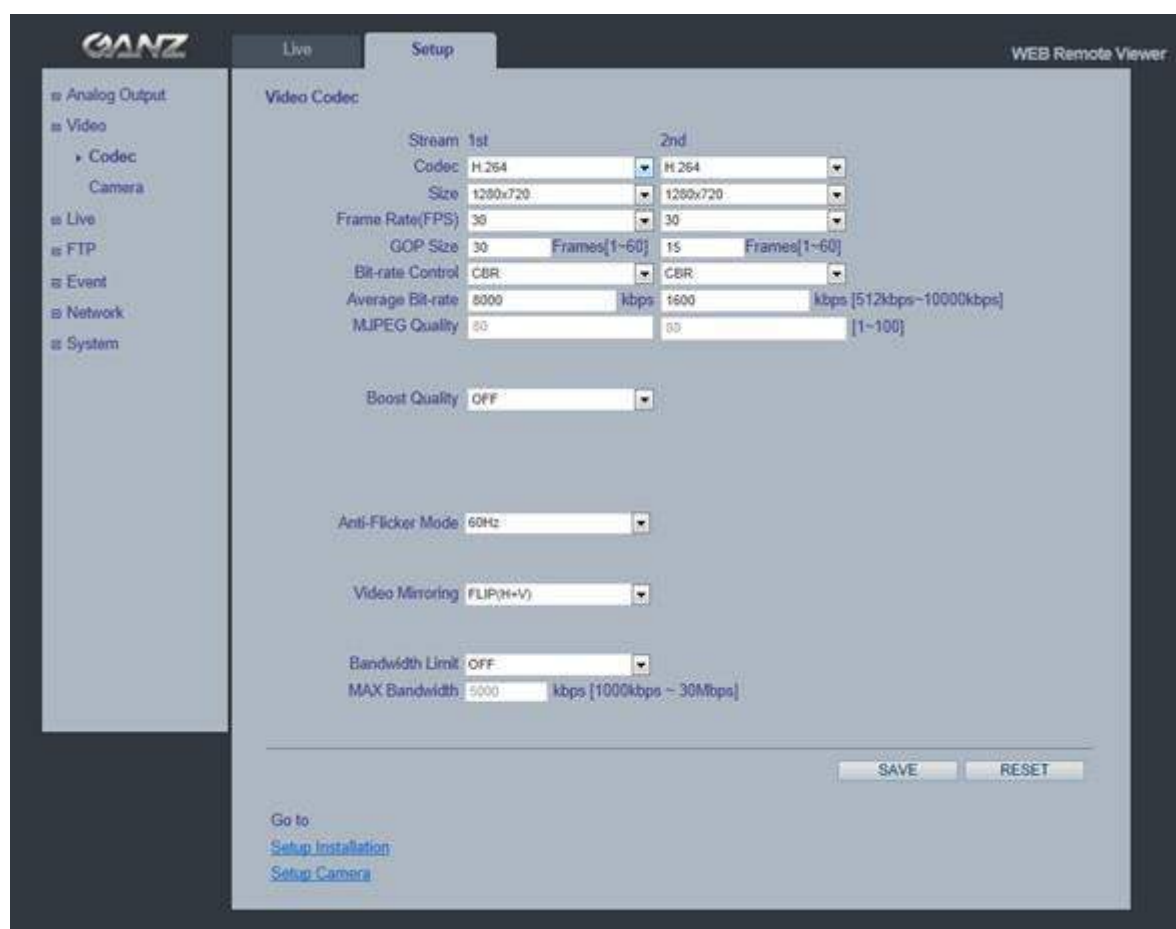
Analog output allows selection of output format of the analog BNC output from the camera. NTSC, PAL: Analog Output is selectable.

6. Video

The following descriptions show examples of some of the features available in the GANZ PixelPro.

6.1 Codec

These are the tools for adjusting the H.264 settings and controlling the video bit rate.



H.264

This is a video compression standard that makes good use of bandwidth and which could provide high-quality video streams at less than 1 Mbit/s.

The H.264 standard provides scope for a large range of different coding tools for use by various applications in different situations, and the GANZ PixelPro provides certain subsets of these tools.

Using H.264, it is also possible to control the bit rate, which in turn allows the amount of bandwidth usage to be controlled. CBR (Constant Bit Rate) is used to achieve a specific bit rate by varying the quality of the H.264 stream. While using VBR (Variable Bit Rate), the quality of the video stream is kept as constant as possible, at the cost of a varying bit rate.

Motion JPEG

This format uses standard JPEG still images in the video stream. These images then are displayed and updated at a rate sufficient to create a stream that shows constantly updated motion.

The Motion JPEG stream uses considerable amounts of bandwidth, but also provides excellent image quality and access to every individual image contained in the stream.

Multiple clients accessing Motion JPEG streams could use different image settings.

Codec

H.264 / MJPEG

Size

Video output resolution. See the next page for the output resolution table.

Frame rate

1~30fps in normal mode (1~15fps for slow shutter mode)

Note: If the slow shutter mode is turned on and the low light condition is met, the frame rate is automatically goes down. In this case, the frame is half of the normal mode.

GOP Size

1 ~ 60 frames

Bit-rate control (CBR or VBR)

When using H.264 compression, if there is only limited bandwidth available, a constant bit rate(CBR) is recommended, although this may compromise image quality. Use a variable bit rate(VBR) for the best possibly image quality.

Average Bit-rate (512Kbps ~ 10Mbps)

Recommended bit rate for D1: 800Kbps ~ 1Mbps

Recommended bit rate for 1.3M(720p): 3Mbps ~ 4Mbps

Recommended bit rate for 2.0M(1080p): 6Mbps ~ 8Mbps

Anti-Flicker mode (Flicker less mode)

60Hz:NTSC

50Hz:PAL or flicker-free mode(to use the camera in locations lit by fluorescent lighting).

Video Mirroring

Select Video Mirroring mode NONE/ HORIZONTAL / VERTICAL / FLIP(H+V)

Bandwidth Limit

Limit the bandwidth that the GANZ PixelPro can use during a network connection.

Max Bandwidth

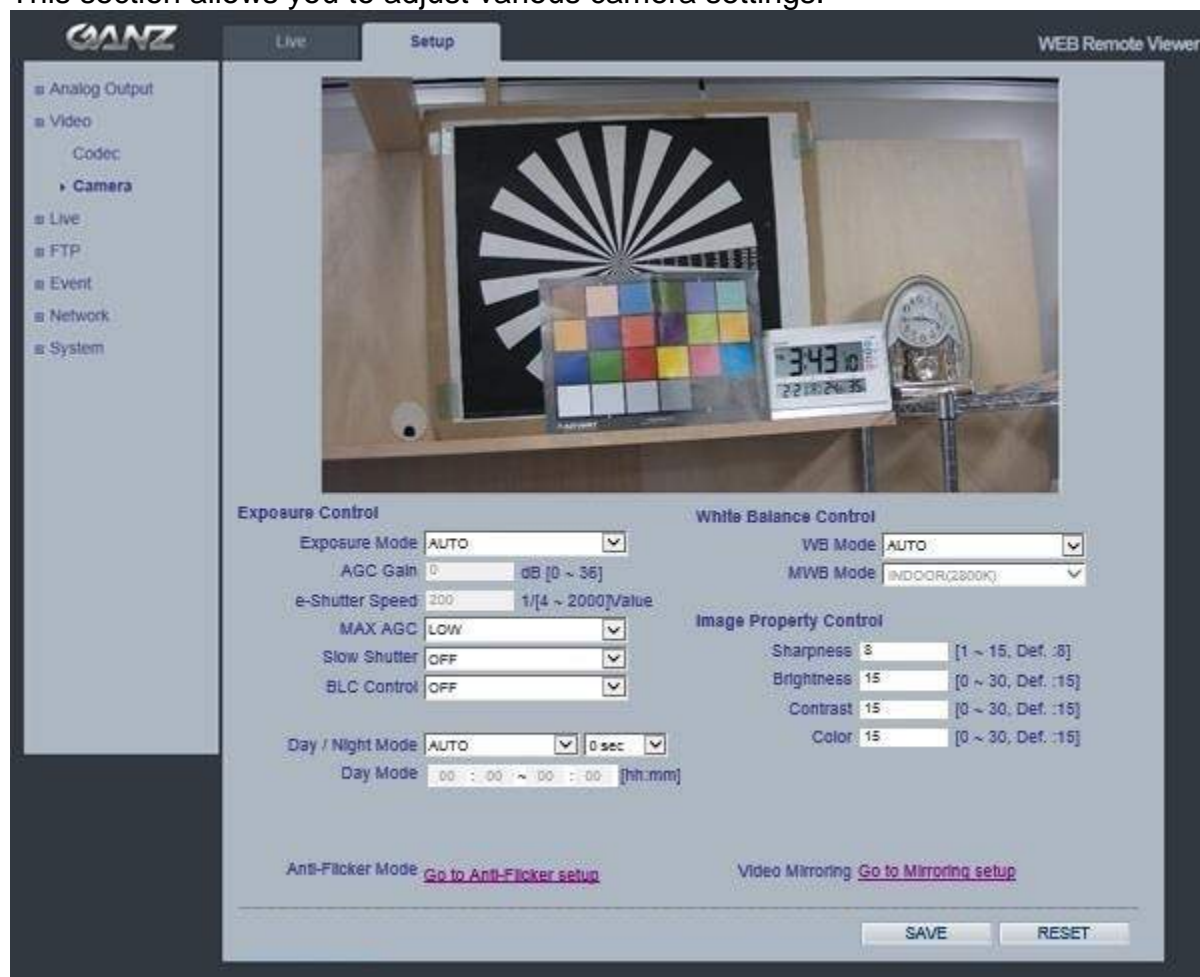
Specify the maximum bandwidth that the GANZ PixelPro can use during a network connection.

< Output resolution table for PixelPro >

First Stream	Second Stream							
1920x1080	704x480	640x480	640x360	640x352	352x288	352x240	320x240	-
1280x1024	704x480	640x480	640x360	352x288	352x240	320x240	-	-
1024x768	704x480	640x480	640x360	352x288	352x240	320x240	-	-
1280x720	1280x720	704x576	704x480	640x480	640x360	352x288	352x240	320x240
704x576	704x576	640x480	640x360	352x288	-	-	-	-
704x480	704x480	640x480	640x360	352x240	-	-	-	-
640x480	640x480	320x240	-	-	-	-	-	-
640x360	640x360	320x240	-	-	-	-	-	-
352x288	352x288	-	-	-	-	-	-	-
352x240	352x240	-	-	-	-	-	-	-
320x240	320x240	-	-	-	-	-	-	-

6.2 Camera

This section allows you to adjust various camera settings.



6.2.1 Exposure Control

Enable AE (Auto Exposure)

ON: Use this setting for automatic exposure control.

OFF: Use these settings to control camera exposure manually.

To compensate for poor lighting conditions, you can adjust the Color level, Brightness, Sharpness, Contrast and Exposure control.

NOTE: When AE is enabled, some of the submenus (AGC Gain, e-Shutter Speed) will be disabled.

Slow shutter mode

For low light conditions, turn on slow shutter mode.

Max AGC Gain

For low light conditions, adjust to a higher value, such as 30dB.

BLC Control (Back Light Compensation)

The BLC adjusts the exposure of scenes with strong backlight in the center-bottom of the image. When the image background is too bright, or the subject too dark, backlight compensation makes the subject appear clearer. The settings for low light behavior determine how the camera behaves at low light levels. These settings affect video image quality and how much noise is in the images.

6.2.2 Day & Night Control

Day & Night Mode

Auto/Day/Night/Schedule- If set to Auto, the camera will automatically switch according to the current lighting conditions.

Schedule- You can specify the schedule of Day mode.

* Schedule is available from FW1333 and later.

6.2.3 White Balance Control

WB Mode

ON: ATW (Automatic White balance)

OFF: MWB (Manual White balance)

The White balance adjustment setting is used to make the colors in the image appear consistent, compensating for the different colors present in different light sources.

The GANZ PixelPro camera can be set to automatically identify the light source and compensate for its color temperature. If necessary, the type of light source could be set manually..

6.2.4 Image Property Control

Modify the video signal parameters, such as: Brightness, Sharpness, Contrast, and Color.

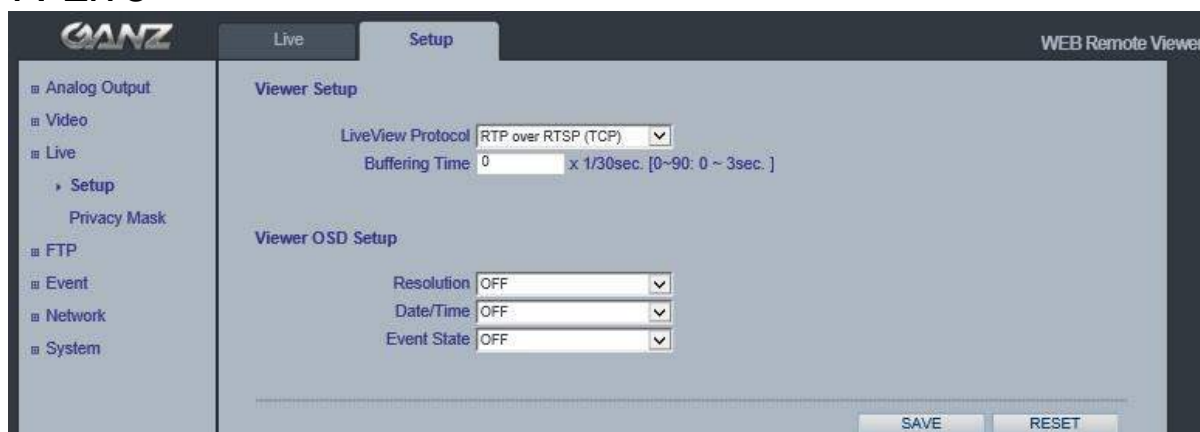
Sharpness (Default: 8, Range: 1~15)

Brightness (Default: 15, Range: 0~30)

Contrast (Default: 15, Range: 0~30)

Color (Default: 15, Range: 0~30)

7. Live



7.1 Setup

The GANZ PixelPro could support 10 simultaneous users. In case of multicast, the GANZ PixelPro could support unlimited number of users. If supported on the network, consider using multicasting, as the bandwidth consumption will be much lower.

Viewer Setup

LiveView Protocol

RTP Unicast (UDP) / RTP Multicast (UDP) / RTP over RTSP (TCP)

Buffering Time (frame based)

Determines (0 ~ 90) x 1/30 sec (0 ~ 3sec)

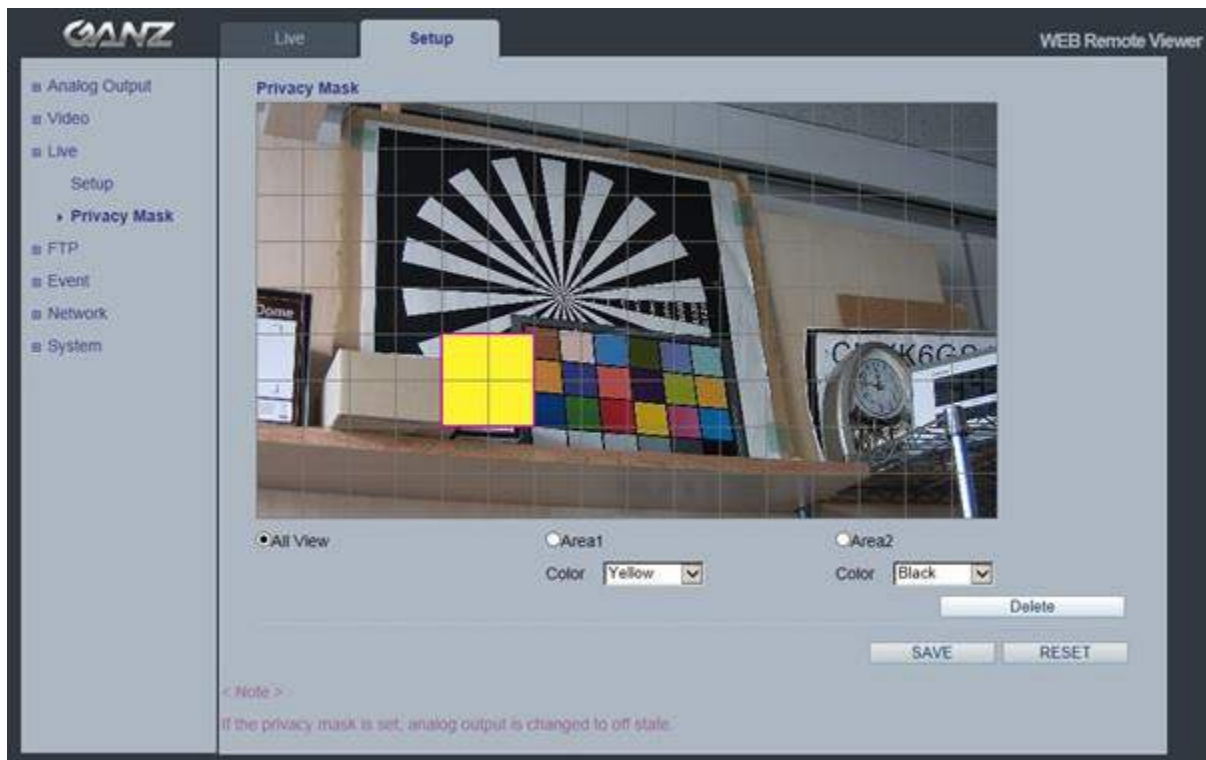
Viewer OSD Setup

Date : Determines whether the date is displayed.

Resolution : Determines whether the camera title is displayed.

Event State : Determines whether the event state is shown on display window.

7.2 Privacy Masking



This uses masking to hide sections that you do not want to appear in the shooting screen. A maximum of 2 locations can be set.

Mask Area

All View : Shows the masking area both Area 1 and 2.

Click the Masking Area 1 or 2 to make a masking.

Mask color

Sets the mask color

Black, White, Light Gray, Dark Gray, Yellow, Red, Blue, Green

Mask Creation Procedure

1. Click **Privacy Mask** in the Live menu.
2. Select **Area1** or **2** to activate a setup window.
3. Set the Mask Color in the drop-down list.
4. Click the Masking window, and select an area that you want to specify the masking area.
5. Click **Save**.

Note: When the Privacy Masking is set, analogue output will be changed to off state automatically.

* Privacy masking is available from FW1227 and later.

8. FTP

8.1 FTP > Config



Server Configuration (This function is N/A on this model)

External Server Configuration

It is setting page to transmit the still shot to remote sites, using the FTP server. Specify the external FTP server information such as IP address, port number, Username and password.

Note :

When the first stream is set to 1920x1080, please set the 2nd stream to MJPEG or H.264 with resolution less than 352x288. If 2nd stream is set to H.264 greater than 640x352, 30fps streaming is not guaranteed due to performance limitation.

8.2 FTP > Event



Event FTP Sending

It enables FTP transmission triggered by event.

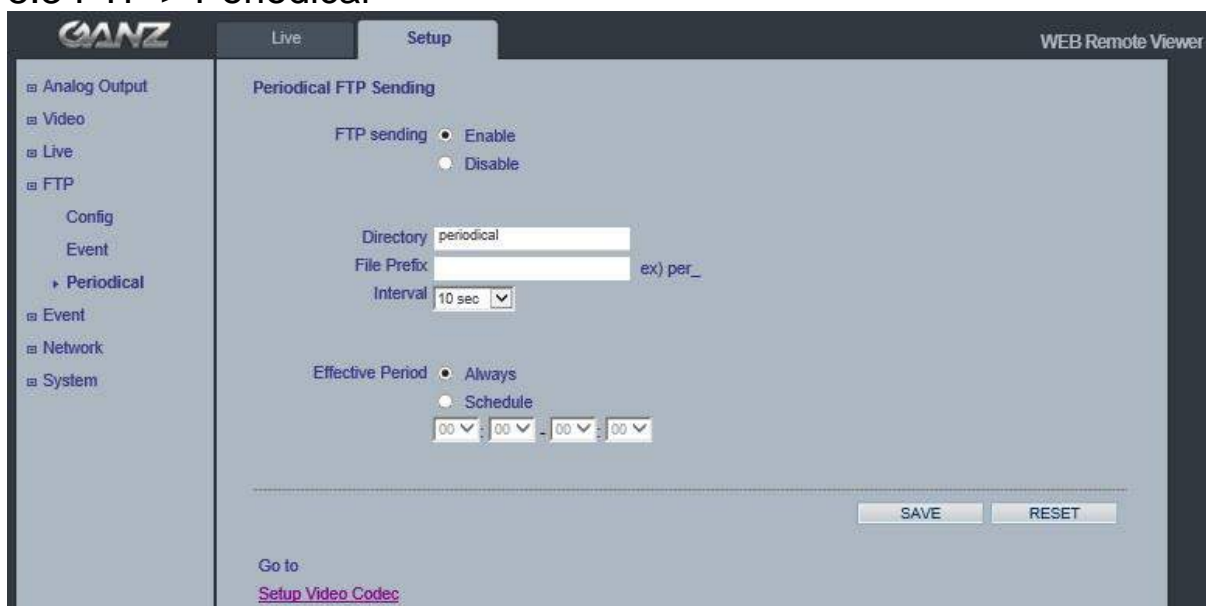
Directory : This folder will be created into external FTP server automatically.

File Prefix : The file name will start from this prefix.

Mapping : You can specify event mapping for Event FTP.

Effective Period : You can specify "Always" or "Schedule"

8.3 FTP > Periodical



Periodical FTP Sending

It enables FTP transmission periodically.

Directory : This folder will be created into external FTP server automatically.

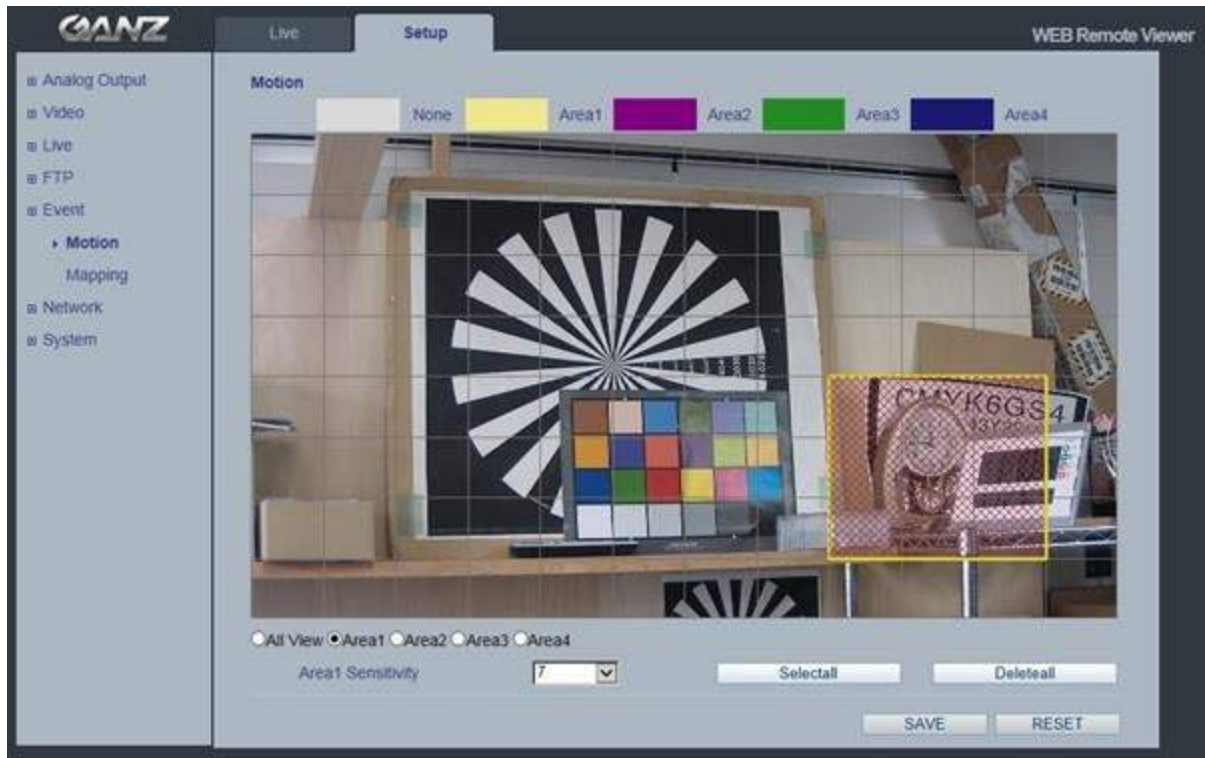
File Prefix : The file name will start from this prefix.

Interval : You can specify interval time for uploading to FTP.

Effective Period : You can specify "Always" or "Schedule"

9. Event

9.1 Event > Motion



Motion Detection

Motion detection is used to generate an alarm whenever movement either occurs or stops in the video image. A maximum of 4 windows could be configured.

Area Sensitivity : 1(low) ~ 10(High) – The higher the number is, the higher the sensitivity level becomes.

Configuring Motion Detection

1. Click **Motion Detection** in the **Event Config** menu.
2. Select an Area from **Area1** to **4** to activate a Motion setup window.
3. Click the Motion window, and select an area that you want to specify the Motion area.
4. Select sensitivity value (1 ~ 10) in the drop-down list.
Any detected motion within an active window is then indicated by red shade onto the **Activity** window.
5. Click **Save**.

Note: Using the motion detection feature may decrease the camera's overall performance.

9.2 Event > Mapping



It is possible to define conditions that would cause the camera to respond with certain actions. A triggered event happens as a result of a trigger, which could be motion detection.

For example,

E-mail could be sent by video motion detection.

10. Network

10.1 Network > IP Setup



Network Settings

Click the **Setup > Network > IP Setup** to see the current network settings.

IP Address Configuration -

The GANZ PixelPro supports both IP version 4 and IP version 6 (**IPv6 will be supported in V3.00**). Both versions may be enabled simultaneously, and at least one version should be always enabled.

When using IPv4, the IP address could be set automatically via DHCP, or a static IP address could be set manually. If IPv6 is enabled, your camera receives an IP address according to the configuration in the network router.

There are also options for setting up notification of changes in the IP address, and for using the Internet Dynamic DNS Service.

Notes: • *To receive notification whenever the camera's IP address changes (via e.g. DHCP), configure the options for notification of IP address change. See Services below.* • *If your DHCP server could update a DNS server, you could access the GANZ PixelPro by a host name which is always the same, regardless of the IP address.*

DNS Configuration

DNS (Domain Name Service) provides the translation of host names to IP addresses on your network.

•1st DNS server

Enter the IP address of the primary DNS server for your network.

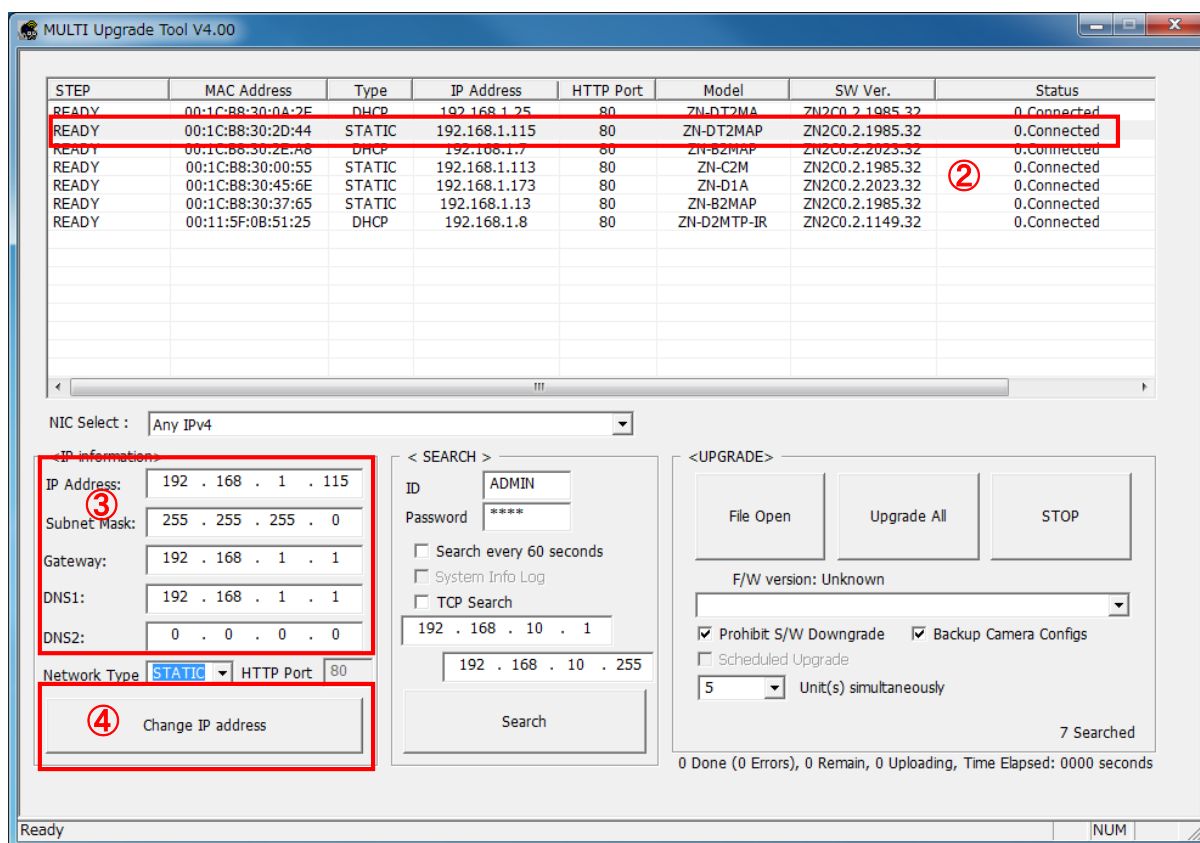
•2nd DNS server

Enter the IP of the Secondary DNS, which is used if the Primary DNS server is unavailable.

How to assign IP address

Default setting is set to “DHCP” and “UPnP” function is set to ON. If your network has DHCP server and UPnP function is enabled on your PC, you can find the network camera in “My network”.

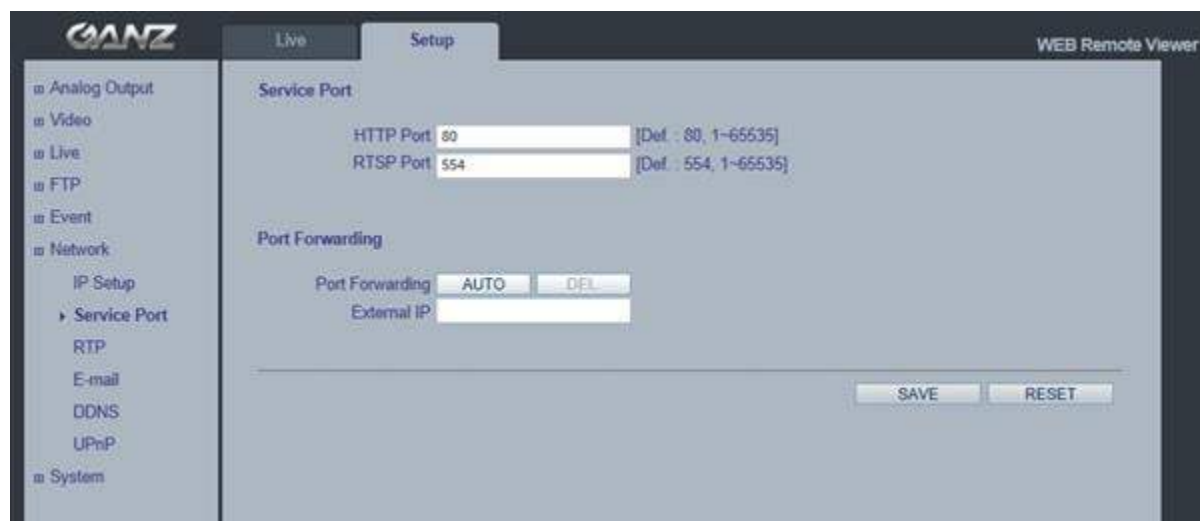
If DHCP server is not available in your network, please assign IP address as following process.



- 1) Execute “MultiUpgradeTool.exe”, it will search the camera on the network.
- 2) After the camera is listed in camera list, select the camera.
- 3) Type in the all network information.
- 4) Click “Change IP address” button to set network settings to the camera.

When you double-click the camera within the list, the default web browser (Internet Explorer or compatible equivalent) will open and automatically connect to the camera.

10.2 Network > Service Port



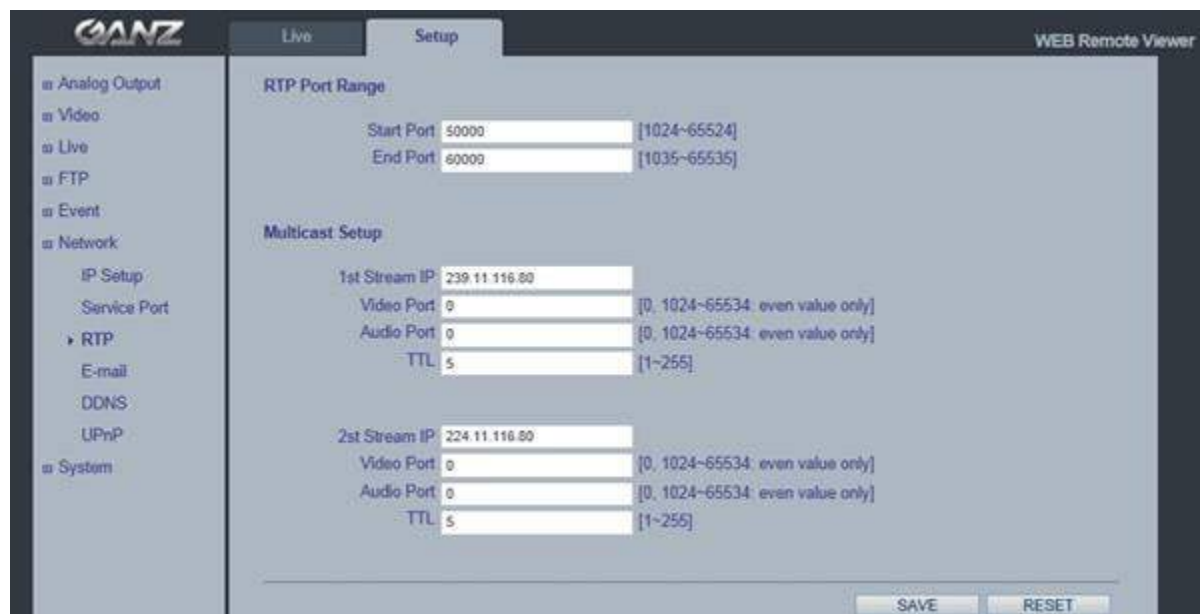
Service Port

HTTP port- The default HTTP port number (**80**) could be changed to any port within the range 1-65535. This is useful for simple port mapping.

RTSP port- The RTSP protocol allows a connecting client to start an H.264 stream. Enter the RTSP port number to use. The default setting is **554**.

NOTE: After changing the default port numbers, the user can use the "MultiUpgradeTool.exe" to search and connect automatically.

10.3 Network > RTP



RTP port range , Multicast Setup

These settings are the IP address, port number, and Time-To-Live value to use for the video stream(s) in multicast H.264 format.

Only certain IP addresses and port numbers should be used for multicast streams.

10.4 Network > E-mail

The screenshot shows the GANZ WEB Remote Viewer interface. The left sidebar contains a tree view with the following items: Analog Output, Video, Live, FTP, Event, Network, IP Setup, Service Port, RTP, E-mail (selected), DDNS, UPnP, and System. The main content area is titled 'E-mail Setup' and contains the following fields:

- Notification: ON (dropdown)
- Frequency: 5 Min (dropdown)
- Server: smtp.ipcam.com (text input)
- Port: 25 (text input)
- Security: ON (dropdown)
- User: user@ipcam.com (text input)
- Password: ***** (password input)
- From: user@ipcam.com (text input)

At the bottom right, there are 'SAVE' and 'RESET' buttons. Below the form, there is a 'Go to:' section with two links: [Setup To enable Address](#) and [Setup Event Mapping](#).

You must turn Notification to 'On' and then enter the host names or addresses for your mail servers in the fields provided, to enable the sending of event and error email messages from the camera to predefined addresses via SMTP.

Note1)

Frequency : Mail server may register the sender to SPAM list when frequency is set to "1 Min". It may be better to set "5 Min" for safe side.

Note2)

From : Specify the name who sent e-mail notification. It may be better to use e-mail format like as aaa@bbb.com. Some e-mail server will refuses it.

10.5 Network > DDNS

The screenshot shows the GANZ WEB Remote Viewer interface. The left sidebar contains a tree view with the following items: Analog Output, Video, Live, FTP, Event, Network, IP Setup, Service Port, RTP, E-mail, DDNS (selected), UPnP, and System. The main content area is titled 'DDNS Setup' and contains the following fields:

- DDNS: ON (dropdown)
- User Set URL: http://.dvrlink.net (text input)

At the bottom right, there are 'SAVE' and 'RESET' buttons.

How to setup the DDNS:

1) DDNS set to ON.

“*mac address.dvrlink.net*” is registered to the DDNS server.

User can connect to the camera with: “*http://mac address.dvrlink.net*”.

2) DDNS set to ON and user inputs “*user-defined name*”.

“*mac address.dvrlink.net*” and “*user-defined name.dvrlink.net*” are both registered together.

User can connect to the camera using either:

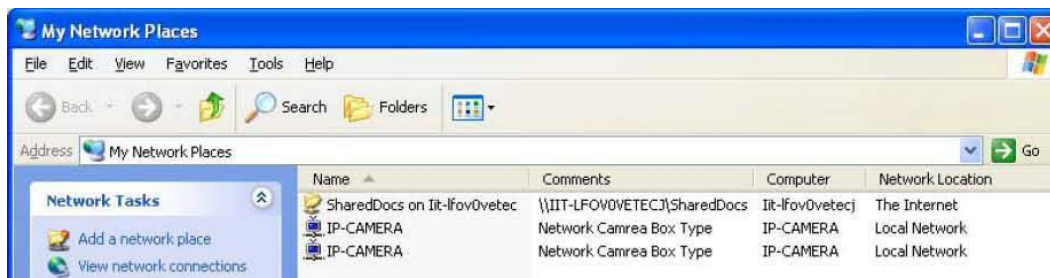
“*http://mac address.dvrlink.net*” or “*http://user-defined name.dvrlink.net*”.

If “*user-defined name*” is already registered, an error message is shown, try a different name.

10.6 Network > UPnP



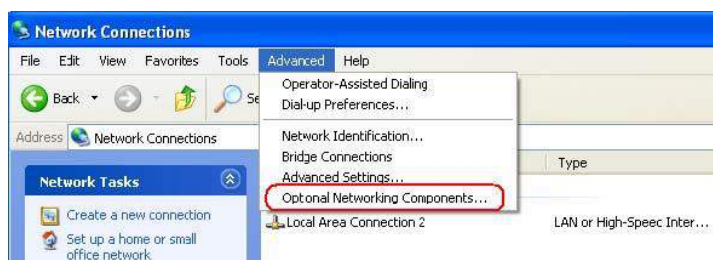
Universal Plug & Play (UPnP) allows you to find the IP camera automatically on your network.



In order to be able to detect the camera automatically, you must enable the UPnP function on both the camera and on your PC.

Camera : Set UPnP to “ON”

PC : Open “Control Panel” >”Network Connection”
Select “Advanced” >”Optional Networking Components...”

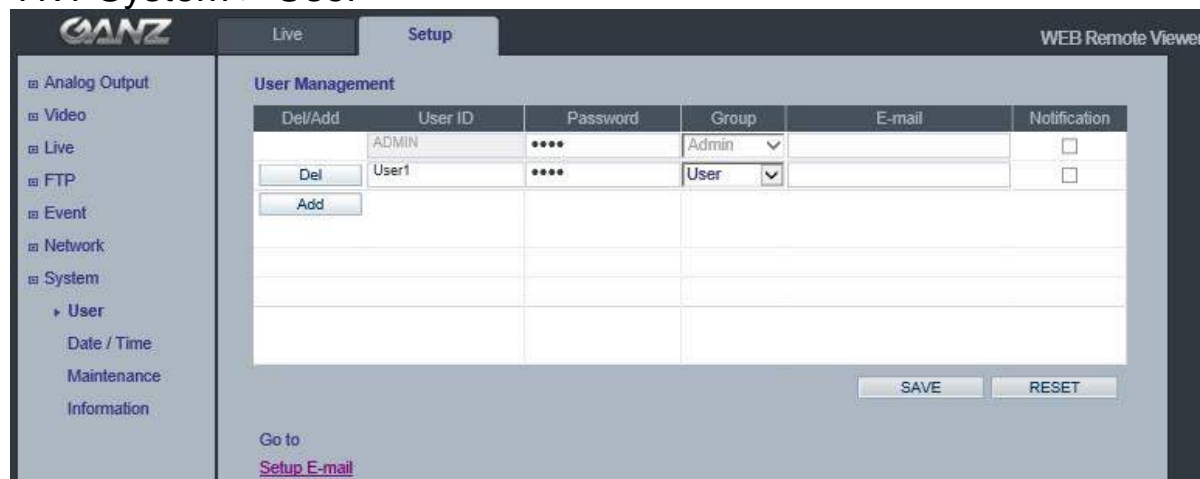


Select “Network Services” and click “Details”. Then select “UPnP user Interface”



11. System

11.1 System > User



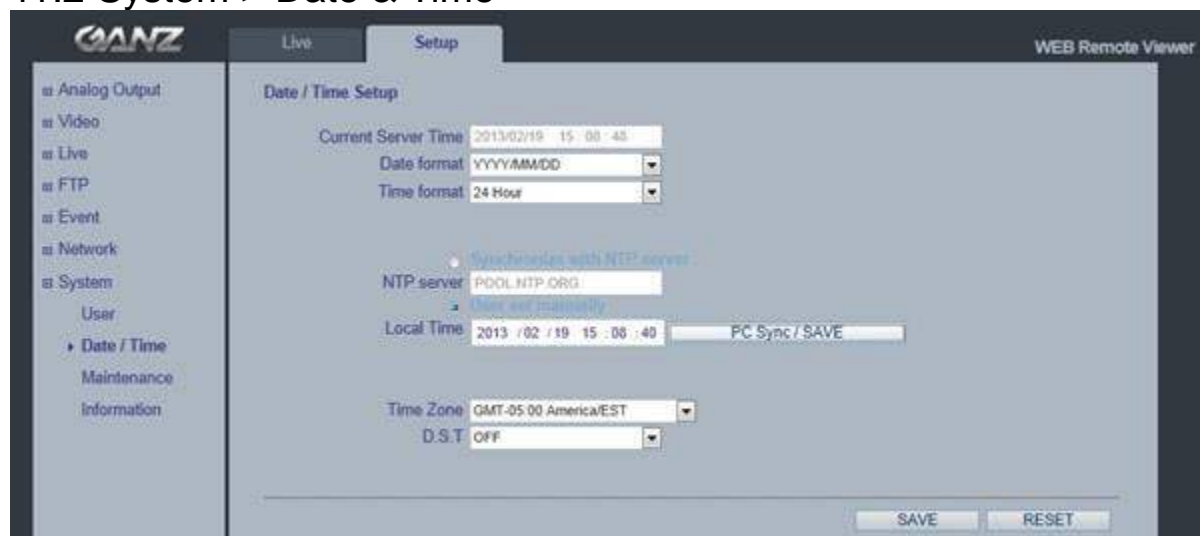
Access the camera and the **Configure Root Password** dialog appears.

Enter the User name: **ADMIN** and password is 1234.

To changed password or add a user click **SETUP > SYSTEM > USER**. Fill the User ID, Password and E-mail server. Select Group. Then press **ADD** button and click **SAVE**.

Note: The default administrator user name **ADMIN** is permanent and could not be deleted or altered.

11.2 System > Date & Time



Date & Time Format - specify the formats for the date and time (12h or 24h) displayed in the Live View video streams. Use the predefined formats or use your own custom date and time formats.

Network Time Server - the camera will obtain the time from an NTP server every 60 minutes. Specify the **NTP server**'s IP address or host name.

Time zone setup – Select your time zone from the drop-down list.

D.S.T (Daylight Saving Time) - ON/OFF

11.3 System > Maintenance



System Name

Choose a system name to identify the camera when using e-mail notifications.

System Reboot

Reboot the camera.

Factory Default

To reset the camera settings to the original factory default settings.

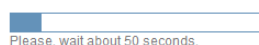
Enable Firmware Upgrade / Firmware Updates

To upgrade Firmware of the camera, follow the instruction below.

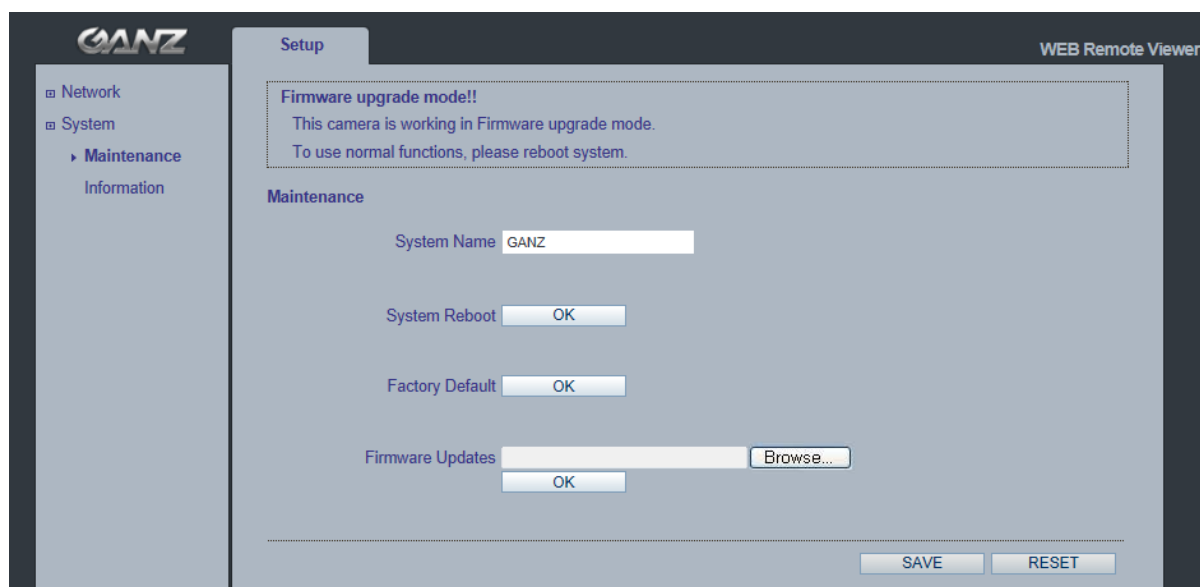
NOTE: *Preconfigured and customized settings should be saved before the firmware is upgraded.*

- 1) Enable Firmware Upgrade mode with clicking "OK" of Enable Firmware Upgrade menu.
- 2) The camera automatically switches to Firmware Upgrade mode.

Changing to Firmware Update Mode...



- 3) When Firmware upgrade menu is displayed, browse to the desired firmware file on your computer. Click OK.



NOTE: Do not disconnect power to the unit during the upgrade. The unit will restart automatically after the upgrade has completed. (1~5 minutes)

System Reset (Factory Default Reset)

There are two ways to reset the camera back to factory default. holding down about 10-20 sec the reset button on the Camera

Using the web browser:

1. Go to SETUP > System > Maintenance.
2. Click Factory Default Button and wait 1 minute for camera to reboot.

Using the Reset Button:

1. Holding down 10-20 sec the reset button on the Camera.
2. Release your finger on the reset button, waiting about 1 minute for camera reboot

NOTE: The unit will now have the default IP address from a DHCP server. Use the "MultiUpgradeTool.exe" to discover and connect to the camera.

11.4 System > Information



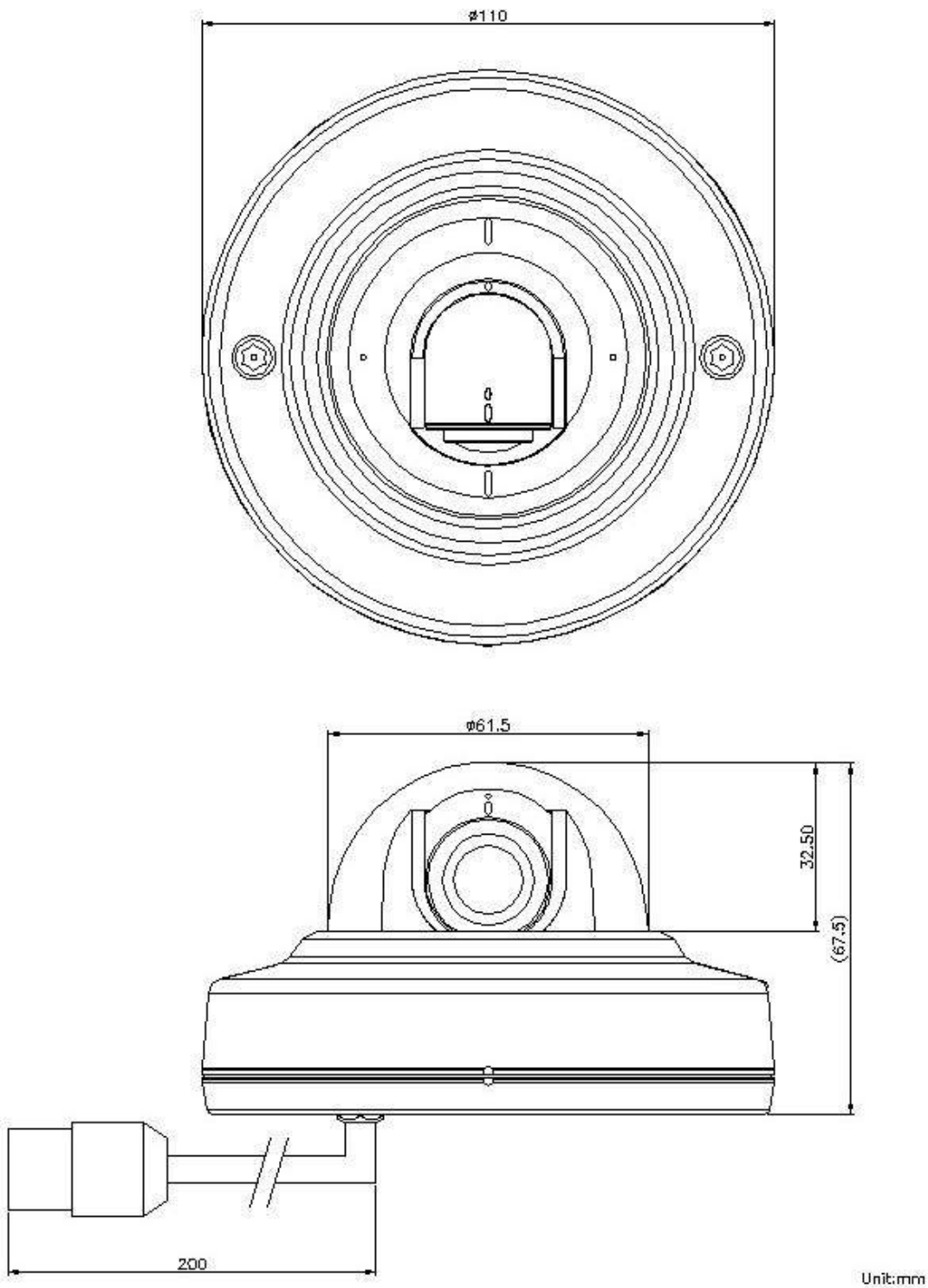
The screenshot shows the GANZ camera web interface. The top navigation bar includes 'Live' and 'Setup' tabs, with 'Setup' selected. The 'System Information' page is displayed, showing various system parameters in a table format. The left sidebar contains a menu with options like 'Analog Output', 'Video', 'Live', 'FTP', 'Event', 'Network', 'System', 'User', 'Date / Time', 'Maintenance', and 'Information' (which is expanded). The 'System Information' table lists the following details:

Parameter	Value
SW Version	ZN200.2.1227.32
Model Name	ZN-MB243M
MAC Address	00:11:5F:0B:BA:A6
IP Address	192.168.1.151
Subnet Mask	255.255.255.0
Default Gateway	192.168.10.1
1st DNS	192.168.1.1
2nd DNS	0.0.0.0
DDNS Server	DVRLINK.NET

System Information

You can confirm the system information if the camera here.

12. Dimensions



13. Specifications

Product Features		H.264 / MJPEG Network Camera
		Dual Stream
		Motion Triggered Alarm
		Multi Language GUI support
		ONVIF Compliant
		1/2.8" Sony IMX036 CMOS Sensor
		On The Fly supported @ GOP/Bitrate/FPS setting
		2D DNR. (Depends on CODEC configuration)
		DPC (Defective Pixel Correction) on the fly
		Analog Hybrid Output(Installation Only)
		Privacy Masking
		IP66
CAMERA	Image Sensor	1/2.8" Sony IMX036 CMOS Sensor
	Max. Resolution	1920 x 1080
	Effective Pixels	2096(H) x 1561(V)
	Effective Image Size	5.24mm(H) x 3.90mm(V), 6.53mm(Diagonal)
	White Balance	ATW / MANUAL(PRESET)
	Electronic Zoom	2 ~ 10x (Client Software)
	AGC	Yes
	BLC	Yes
	Iris	-
	Shutter Speed	1/4, 1/10, 1/12.5, 1/15, 1/20, 1/25, 1/30, 1/50, 1/60, 1/100, 1/120, 1/240, 1/480, 1/960, 1/1024, 1/2000s
	Slow Shutter	2x, 4x, 8x
	Lens	Fixed lens. f=2.1mm(ZN-MD221M) / f=4mm(ZN-MD243M)
	Angle of View	f=2.1mm> horizontal definition:132.6° f=4mm> horizontal definition :71.45
	Day & Night	Digital Day & Night
	S/N ratio	48.8 dB or more
	Min. illumination	0.14 lux(F2.0, 30IRE)
	Privacy Masking	Up to 2 Areas
ANALOG (Installation Only)	Video Signal	NTSC / PAL selectable
	Monitor Output	Composite Output(BNC), 75 ohm 1Vpp
	Scanning Frequency	NTSC: (H) 15.734 kHz, (V) 59.94 Hz PAL: (H) 15.625 kHz, (V) 50 Hz
AUDIO	In/Out	-
		-
	CODEC	-

NETWORK	Network	10BASE-T, 100BASE-TX, RJ45
	Image Compression	H.264
	Resolution	MJPEG : Image quality: 100 Steps(Q value)
		1920 x 1080(Full HD), 1280 x 1024(SXGA), 1024x768(XGA), 1280 x 720(720p)
		640 x 480(VGA), 640 x 360(HVGA), 320 x 240(QVGA)
		704x480/576(4CIF), 352x240/288(CIF)
	Protocol	IPv4, HTTP, SMTP, UPnP, DNS, RTSP, DDNS, RTP, TCP, UDP, RTCP
		DHCP, ARP, ICMP, IGMP, NTP
		1 fps ~ 25 fps / 1 fps ~ 30 fps
	Frame Rate	Internet Explorer 7.0 or above
	Web Browser	Firefox
		Chrome
		Smart Phone (iOS, Android)
	Security	Password Protection
	SDK(API)	HTTP / RTSP based API ONVIF
VMD	User set 4 ROI (Region Of Interest)	
	10 Step Sensitivity	
Alarm Trigger	VMD	
Alarm Event	E-mail notification, FTP transfer, JPEG image streaming with alarm status(TBD)	
POWER	Power Source	PoE (IEEE 802.3af compliant)
	Power Consumption	70mA @ DC48V, Max 3.4W
OTHER SPECIFICATIONS	Micro SD Card	-
	External I/O Terminals	-
	IR Number	-
	Ambient Temperature (Not Include Cold Start)	-30°C ~ 50°C(-22°F~122°F)
	Ambient Humidity	less than 90%, Non-condensing
	Materials	Aluminum Diecasting
	Weight	360g
	Dimensions(W x H x D)	Φ110 X 67.5(H) mm
	IP Rating	IP66

* The specifications and/or appearance of the product may change without a prior notice.



English

Disposal of your old appliance

1. When this crossed-out wheeled bin symbol is attached to a product it means the product is covered by the European Directive 2002/96/EC.
2. All electrical and electronic products should be disposed of separately from the municipal waste stream via designated collection facilities appointed by the government or the local authorities.
3. The correct disposal of your old appliance will help prevent potential negative consequences for the environment and human health.
4. For more detailed information about disposal of your old appliance, please contact your city office, waste disposal service or the shop where you purchased the product.

Français/French

Élimination de votre ancien appareil

1. Ce symbole, représentant une poubelle sur roulettes barrée d'une croix, signifie que le produit est couvert par la directive européenne 2002/96/EC.
2. Tous les produits électriques et électroniques doivent être éliminés séparément de la chaîne de collecte municipale des ordures, par l'intermédiaire des installations de collecte prescrites et désignées par le gouvernement ou les autorités locales.
3. Une élimination conforme aux instructions aidera à réduire les conséquences négatives et risques éventuels pour l'environnement et la santé humaine.
4. Pour plus d'informations concernant l'élimination de votre ancien appareil, veuillez contacter votre mairie, le service des ordures ménagères ou encore le magasin où vous avez acheté ce produit.

Deutsch/German

Entsorgung von Altgeräten

1. Wenn dieses Symbol eines durchgestrichenen Abfallimers auf einem Produkt angebracht ist, unterliegt dieses Produkt der europäischen Richtlinie 2002/96/EC.
2. Alle Elektro- und Elektronik-Altgeräte müssen getrennt vom Hausmüll über die dafür staatlich vorgesehenen Stellen entsorgt werden.
3. Mit der ordnungsgemäßen Entsorgung des alten Geräts vermeiden Sie Umweltschäden und eine Gefährdung der persönlichen Gesundheit.
4. Weitere Informationen zur Entsorgung des alten Geräts erhalten Sie bei der Stadtverwaltung, beim Entsorgungsamt oder in dem Geschäft, wo Sie das Produkt erworben haben.

Italiano/Italian

RAEE: SMALTIMENTO DELLE VOSTRE VECCHIE APPARECCHIATURE

1. Quando il simbolo del "Cassonetto Barrato" è apposto su un prodotto, significa che lo stesso può ricadere nei termini previsti dalla Direttiva Europea nr. 2002/96/EC in funzione dell'attuazione definita dalla Legislazione dei singoli stati membri dell'Unione Europea.
2. Tutti i prodotti elettrici ed elettronici dovrebbero essere smaltiti separatamente dai rifiuti municipali, tramite appositi contenitori, approvati dall'Amministrazione Comunale o dalle Autorità Locali.
3. Il corretto smaltimento delle vostre vecchie apparecchiature, contribuirà a prevenire possibili conseguenze di impatto negativo sull'ambiente e per la salute dell'uomo.
4. Per maggiori informazioni circa lo smaltimento delle vostre vecchie apparecchiature, siete pregati di contattare l'ufficio municipale della vostra città, il servizio di smaltimento rifiuti o il punto vendita nel quale avete acquistato il prodotto.

Polski/Polish

Utylizacja starych urządzeń

1. Kiedy do produktu dołączony jest niniejszy przekreślony symbol kołowego pojemnika na śmieci, oznacza to, że produkt jest objęty europejską dyrektywą 2002/96/EC.
2. Wszystkie elektryczne i elektroniczne produkty powinny być utylizowane niezależnie od odpadów miejskich, z wykorzystaniem przeznaczonych do tego miejsc składowania wskazanych przez rząd lub miejscowe władze.
3. Właściwy sposób utylizacji starego urządzenia pomoże zapobiec potencjalnie negatywnemu wpływowi na zdrowie i środowisko.
4. Aby uzyskać więcej informacji o sposobach utylizacji starych urządzeń, należy skontaktować się z władzami lokalnymi, przedsiębiorstwem zajmującym się utylizacją odpadów lub sklepem, w którym produkt został kupiony.

Português/Portuguese

Eliminação do seu antigo aparelho

1. Quando este símbolo de latão cruzado estiver afixado a um produto, significa que o produto é abrangido pela Directiva Europeia 2002/96/EC.
2. Todos os produtos eléctricos e electrónicos devem ser eliminados separadamente da coleta de lixo municipal através de pontos de recolha designados, facilitados pelo governo ou autoridades locais.
3. A eliminação correcta do seu aparelho antigo ajuda a evitar potenciais consequências negativas para o ambiente e para a saúde humana.
4. Para obter informações mais detalhadas acerca da eliminação do seu aparelho antigo, contacte as autoridades locais, um serviço de eliminação de resíduos ou a loja onde comprou o produto.

Español/Spanish

Cómo deshacerse de aparatos eléctricos y electrónicos viejos

1. Si en un producto aparece el símbolo de un contenedor de basura tachado, significa que éste se acoge a la Directiva 2002/96/EC.
2. Todos los aparatos eléctricos o electrónicos se deben desechar de forma distinta del servicio municipal de recogida de basura, a través de puntos de recogida designados por el gobierno o las autoridades locales.
3. La correcta recogida y tratamiento de los dispositivos inservibles contribuye a evitar riesgos potenciales para el medio ambiente y la salud pública.
4. Para obtener más información sobre cómo deshacerse de sus aparatos eléctricos y electrónicos viejos, póngase en contacto con su ayuntamiento, el servicio de recogida de basuras o el establecimiento donde adquirió el producto.

America**CBC (AMERICA) CORP.**

New York
55 Mall Drive,
Commack, NY 11725, U.S.A.
<http://www.computarganz.com>

CBC (AMERICA) CORP.
Los Angeles Division
21241 South Western Avenue, Suite 160
Torrance, CA 90501, U.S.A.
<http://www.computarganz.com>

Europe

CBC EUROPE GmbH
Düsseldorf
Hansaallee 191
D-40549 Düsseldorf, GERMANY
<http://www.cbc-europe.com>

CBC EUROPE GmbH UK Branch
London
7/8, Garrick Industrial Centre,
Irving Way, London NW9 6AQ, U.K.
<http://www.cbceurope.com>

CBC (EUROPE) S.r.l.
Milan
Via E. Majorana, 2
20834-Nova Milanese(MB), ITALY
<http://www.cbceurope.it/cctv>

CBC (Poland) Sp.z o.o.
Warszawa
Ul.Krasynskiego 41A
01-755 Warszawa
<http://www.cbcpoland.pl>

CBC Co., Ltd. MOSCOW REP OFFICE
Moscow
Office 503B, Entrance#3, Building 1,
World Trade Center, 12 Krasnopresnenskaya nab., Moscow,
123610, RUSSIA
<http://www.cbc.ru>

China**CBC(Beijing) Trading CO.,LTD.**

Beijing
Room B905-A, Tian Yuan Gang Center,
No.C2 Dong San Huan Bei-Lu,
Chaoyang District,
Beijing, CHINA
<http://www.cbc-china.cn/>

CBC (SHANGHAI) Trading CO., Ltd.
Shanghai
Room 1801, GIFC, No.1438 HongQiao Road, Changning
District, Shanghai, CHINA
<http://www.cbc-china.cn/>

CBC (GUANGZHOU) Trading CO., Ltd.
Guangzhou
Room 1207, CITIC Plaza, No.233 Tian He North
Road, Guangzhou City, Guangdong Province,
CHINA
<http://www.cbc-china.cn/>

CBC (H.K.) CO., LTD.

Hong Kong
Unit 2101, 21/F., Tower 6,
China Hong Kong City, 33 Canton Road,
Tsim Sha Tsui, Kowloon, Hong Kong, CHINA
<http://www.cbc-china.cn/>

Asia

CBC. S PTE LTD.
Singapore
15 Jalan Kilang Barat, #04-03
Frontech Centre, SINGAPORE 159357
<http://www.cbcsingapore.com/>

CBC (Thailand) Co.,Ltd.

Bangkok
23rd Floor, ITF Tower 2, 140/53-55
Silom Road, Suriyawongse,
Bangrak, Bangkok 10500
THAILAND
<http://www.cbcthailand.com/>

CBC Corporation (India) Private Limited
Mumbai
2F B Wing, Marwah Centre,
Krishanlal Marwah Marg,
Andheri East, Mumbai 400 072, INDIA

PT. CBC PRIMA
Jakarta
MidPlaza II Building, 12th Floor,
Jl.Jend.Sudirman Kav. 10-11
Jakarta Pusat, 10220, INDONESIA

T-CBC (TAIWAN) CO., Ltd.
Taiwan
Room D, 10th Floor, No.365 Fushing N. Rd.,
Taipei, 10543, TAIWAN, R. O. C.
<http://www.t-cbc.com.tw/>



www.cbc.co.jp
www.ganz-global.com

Revision History

REV#	DATE(M/D/Y)	Comments
06-2014-A	06/17/2014	Revised all the pages Added Specifications