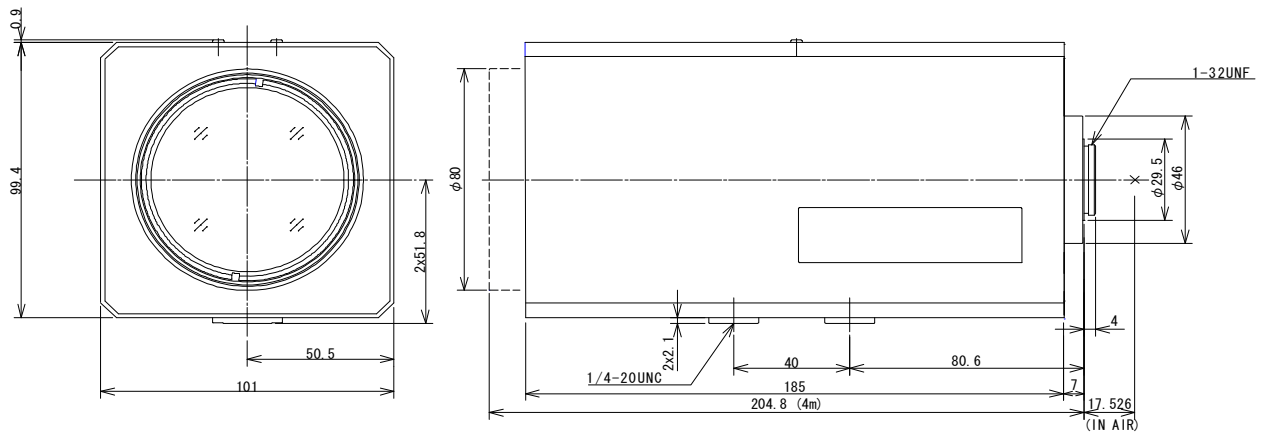


**24X 10mm-240mm F1.8 Day & Night
for 1/1.8 type 3 Megapixel Cameras, Motorized Zoom
C-Mount**

| | | | | | | | |
|-----------------------|---------|---------------------|--------------|--------------------|--------------|------------------------------|--------------|
| Model No. | | E24Z1018DC-MPIR | | Effective | Front | φ 66mm | |
| Focal Length | | 10mm - 240mm | | Lens Aperture | Rear | φ 14mm | |
| Max. Aperture Ratio | | 1:1.8 | | Back Focal Length | | 14.1mm | |
| Max. Image Circle | | φ 8.9mm | | Flange Back Length | | 17.526mm | |
| Operation Range | Iris | F1.8 - F500C | | Mount | | C-Mount | |
| | Focus | 4m - Inf. | | Filter Size | | M77 P=1mm | |
| | Zoom | 10mm - 240mm | | Tripod Screw | | 1/4 -20UNC | |
| Control | Iris | DC Auto Iris | | Dimensions | | W101mm x H102.4mm x D204.8mm | |
| | Focus | Motorized | | Weight | | 2100g | |
| | Zoom | Motorized | | | | | |
| Angle of View | D | 1/1.8 type (4:3) | 48.4° - 2.2° | 1/2 type (4:3) | 43.7° - 2.0° | 1/3 type (4:3) | 33.0° - 1.5° |
| | H | | 39.0° - 1.7° | | 35.2° - 1.6° | | 26.5° - 1.2° |
| | V | 29.5° - 1.3° | 26.5° - 1.2° | 19.9° - 0.9° | | | |
| | | Iris | | Focus | | Zoom | |
| Supply Voltage | | ———— | | DC6V | | DC6V | |
| Current | | ———— | | 90mA or less | | 90mA or less | |
| Response Time | | ———— | | Approx. 6.5 sec. | | Approx. 6.5 sec. | |
| Coil | Drive | 190 Ω | | | | | |
| | Control | 1000 Ω | | | | | |
| Operating Temperature | | -10°C - +50°C | | | | | |

Dimensions



Wiring Diagram

