

# T10Z5712M-CS

**10X 5.7mm - 57mm F1.2**  
**for 1/3 type Cameras, Motorized Zoom**  
**CS-Mount**

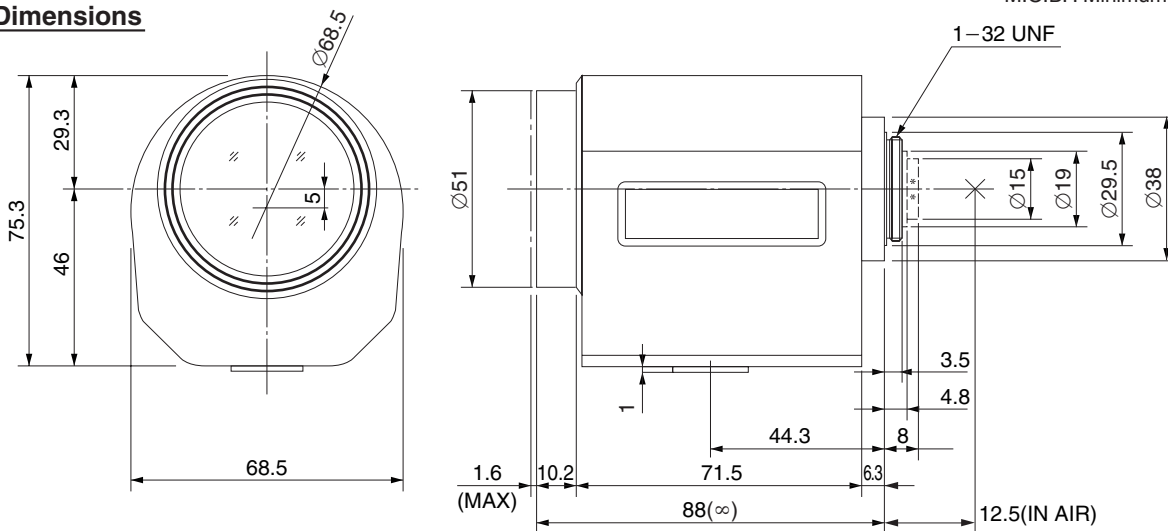
**1/3**  
type

Model No.	T10Z5712M-CS		Effective	Front	Ø45.0mm	
Focal Length	5.7mm - 57mm		Lens Aperture	Rear	Ø8.6mm	
Max. Aperture Ratio	1:1.2		Back Focal Length		8.5mm	
Max. Image Format	4.8mm x 3.6mm(Ø6mm)		Flange Back Length		12.5mm	
Operation Range	Iris	F1.2 - F22C	Mount		CS-Mount	
	Focus	1.8m - Inf.	Filter Size		M49 P=0.75mm	
	Zoom	5.7mm -57mm	Tripod Screw		1/4 - 20UNC	
Control	Iris	Motorized	Dimensions		W68.5mm x H76.3mm x D88mm	
	Focus	Motorized	Weight		450g	
	Zoom	Motorized				
Object Dimension at M.O.D.	5.7mm	147.6cm x 110.8cm				
	57mm	15.1cm x 11.6cm				
Angle of View	D	1/3 type	54.2° - 5.9°	1/4 type	42.0° - 4.5°	
	H		44.6° - 4.8°		34.2° - 3.7°	
	V		34.2° - 3.7°		25.9° - 2.7°	
	Iris	Focus	Zoom			
Supply Voltage	DC8V		DC8V	DC8V		
Current	25mA or less		20mA or less	20mA or less		
Response Time	Approx. 2 sec.		Approx. 3 sec.	Approx. 3.5 sec.		
Preset Potentiometer	—		—	—		
Operating Temperature	-10°C - +50°C					

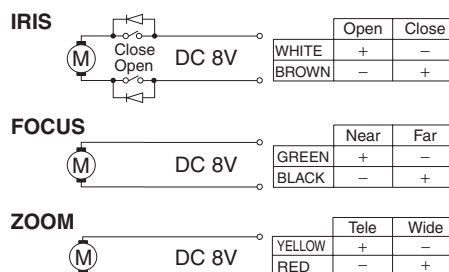
**CS**

M.O.D. : Minimum Object Distance

**Dimensions**



**Wiring Diagram**



**\*\* : for B/W camera**  
 Using with a B/W camera, please use the attached "B/W aberration compensation filter" and "FB compensation spacer". The filter(M20 P=0.5mm) should be screwed onto the lens from rear side and the spacer should be placed between lens and camera.