

T10Z5712MSP-CS

10X 5.7mm - 57mm F1.2
for 1/3 type Cameras, Motorized Zoom
CS-Mount

with Spot Filter and Preset

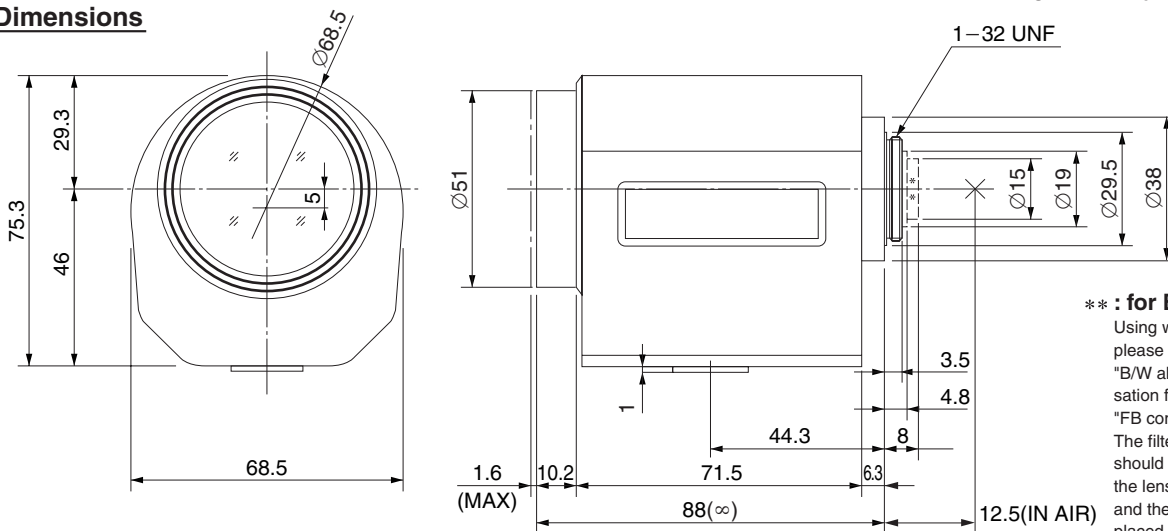
1/3
type

Model No.	T10Z5712MSP-CS		Effective	Front	Ø45.0mm
Focal Length	5.7mm - 57mm		Lens Aperture	Rear	Ø8.6mm
Max. Aperture Ratio	1:1.2		Back Focal Length	8.5mm	
Max. Image Format	4.8mm x 3.6mm(Ø6mm)		Flange Back Length	12.5mm	
Operation Range	Iris	F1.2 - F560C	Mount	CS-Mount	
	Focus	1.8m - Inf.	Filter Size	M49 P=0.75mm	
	Zoom	5.7mm -57mm	Tripod Screw	1/4 - 20UNC	
Control	Iris	Motorized	Dimensions	W68.5mm x H76.3mm x D88mm	
	Focus	Motorized, Preset	Weight	490g	
	Zoom	Motorized, Preset			
Object Dimension at M.O.D.	5.7mm	147.6cm x 110.8cm			
	57mm	15.1cm x11.6cm			
Angle of View	D	1/3 type	54.2° - 5.9°	1/4 type	42.0° - 4.5°
	H		44.6° - 4.8°		34.2° - 3.7°
	V		34.2° - 3.7°		25.9° - 2.7°
	Iris		Focus		Zoom
Supply Voltage	DC8V		DC8V	DC8V	
Current	25mA or less		25mA or less	25mA or less	
Response Time	Approx. 2 sec.		Approx. 3.5 sec.	Approx. 4 sec.	
Preset Potentiometer	—		5kQVR	5kQVR	
Operating Temperature	-10°C - +50°C				

CS

M.O.D. : Minimum Object Distance

Dimensions



Wiring Diagram

